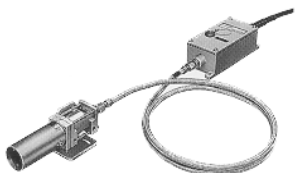
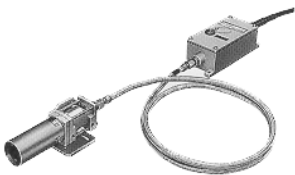

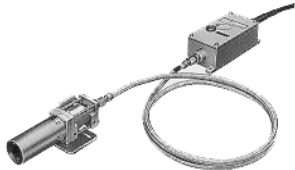

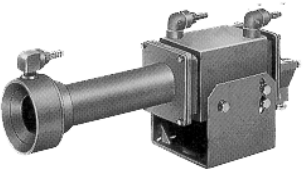
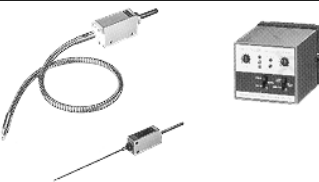



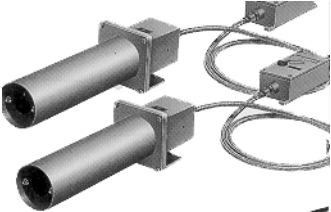
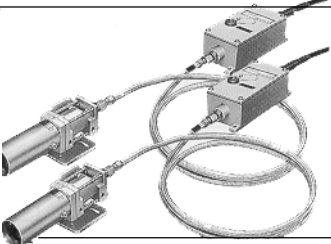
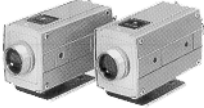
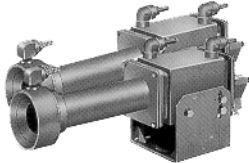
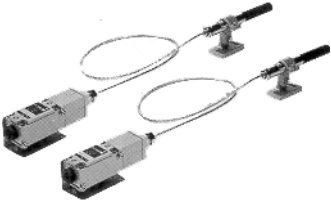


# RILEVATORI DI METALLO CALDO (HMD)

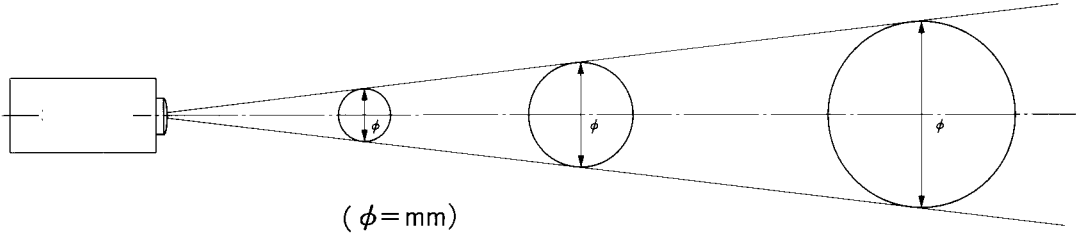
## HMD

Temperatura (°C)		Serie	Distanza - Temp. oggetto (°C)														
-30	-25		-20	-10	0	50	100	150	200	700	650	600	550	500	450	400	350
-25°	T ambiente			<b>FD-A300P</b>	2m	490°/350°											
-25°	T ampl				50°	5m	540°/385°										
					200°	10m	610°/445°										
-25°	T ambiente			<b>FD300A FD600A</b>	2m	580°/360°											
-25°	T ampl				50°	5m	585°/395°										
					200°	10m	595°/455°										
					(FD600A/FD300A)												
-25°	T ambiente			<b>FD-A310C</b>	0.5m	340°											
-25°	T ampl				50°	1m	360°										
					200°	2m	385°										
-25°	T ambiente			<b>FD-A300AN</b>	2m												
-25°	T ampl				50°		720°~340°										
					200°	7m	760°~360°										
-25°	T ambiente			<b>KD150C</b>													
	55°						150°										
	con acqua raffr.		150°	<b>KD50</b>		450°											
-25°	T ambiente			<b>KD45A</b>		650°											
	55°					<b>KD46A</b>		350°									
	con acqua raffr.		180°														
-20°	T ambiente			<b>HD400</b>		430°(0.5m)											
-30°	HD502F				70°		440°(1m)										
	-10° T ampl			50°	<b>HD502F</b>		490°(2m)										
						560°											
-25°	<b>HD601</b>		70°		<b>HD301</b>		350°										
-25°	<b>HD301</b>		50°			<b>HD601</b>											
	-10° T ampl		50°					650°									

		<div style="text-align: center;">           spot circolare  rettangolare  </div> <div style="text-align: center; margin-top: 10px;"> </div>									
		distanza op. 2cm 5cm 10cm 0.5m 1m 2m 3m 4m 5m 10m									
<b>FD-A300P</b>	O H A										
	O H W 1										
<b>FD-A310C</b>											
<b>HMPD 801-EX</b>											
<b>KD150C</b>											
<b>KD50</b>											
<b>KD45A</b>											
	F70N										
<b>KD46A</b>											
<b>HD400 HD502F</b>											
<b>HD301</b>											
<b>HD601</b>											

# RILEVATORI DI METALLO FREDDO (CMD) CMD

Temperatura (°C) -30° -25° -20° -10° 0° 50° 100° 150° 200°		Serie	Distanza (m)													
			10	20	30	40	50	60	70	80	90					
-25° T ambiente 200° -25° T ampl 55°		<b>FT44A</b>	50													
-25° T ambiente 200° -25° T ampl 55°		<b>FT10A</b>	2m	40									3•4•5m	30	7•10m	20
T ambiente 150° -25° con raffred. 55°		<b>KL(R)50</b>	50													
T ambiente 180° -25° con raffred. 55°		<b>KL(R)44</b>	50													
		<b>KL(R)46</b>	50													
-25° T ambiente 200° -25° T ampl 55°		<b>FT101</b>	0.5m	30									3m	20	10m	15
-25° 55°		<b>NT50(P)</b>	50													
-25° 55°		<b>NT100(P)</b>	100													

		Distanza operativa (m)						
		5	10	15	20	25	30	50
		 <p style="text-align: center;">(<math>\phi = \text{mm}</math>)</p>						
<b>FT44A</b>	<b>O H A</b>							
	<b>O I I 2</b>							
<b>FT10A</b>	<b>O H A</b>							
<b>KL(R)50</b>								
<b>KL(R)44</b>								
<b>KL(R)46</b>								
<b>FT101</b>								(OHC)
<b>NT50P</b>								
<b>NT100P</b>								