

CE II 3GD Ex nA IIC T4 Gc, Ex tc IIIC T135°C Dc IP65 94/9/Ex(ATEx)CENELEC:EN 60079-0, EN 60079-15, EN 60079-31



Water and Oil Resistant LED Light Bar

The CLK-EX LED Light Bar Series features a rugged design, high intensity LEDs, and protection ratings to withstand the harshest conditions. The CLK Series is an ideal choice for major illumination projects.



CLK3S-24AG-CD-EX

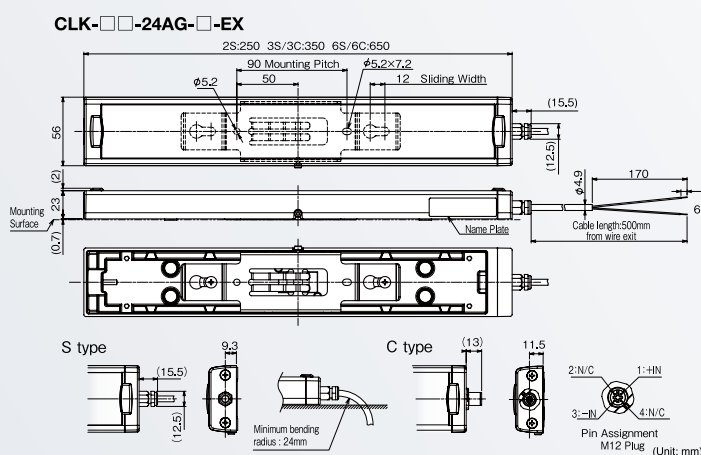
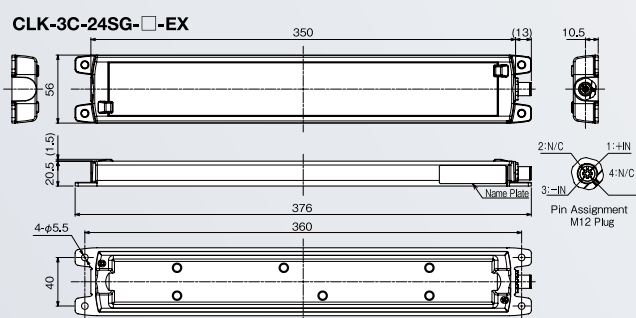


CLK6C-24AG-CD-EX

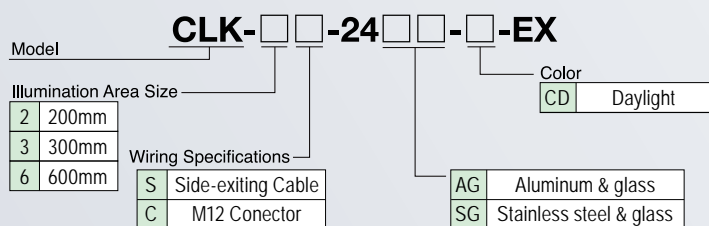
- Suitable for Zone 2 and Zone 22 applications
- CE compliance in accordance with ATEX
- Tempered glass lens to withstand flying scrap metal
- Stainless steel and aluminum body options available
- Available in 250mm, 350mm, 650mm lengths
- 1200 lx (3S/3C); 2100 lx (6S/6C)
- Color Temperature: CD 6,500K, CN 5,000K
- Protection Ratings: IP66G, IP67G, IP69K



Dimensions (mm)



Model Code



Specifications

Model	CLK-□□-24□□-□-EX
LED Color	Day light(CD) / Natural White(CN)
Rated Voltage	24V DC
Operating Voltage Range	Rated Voltage ± 10%
Current Consumption	522mA ± 40mA (3S/3C type)
Light Source	High intensity LED × 18 elements (3S/3C type)
Luminous Intensity at Optical Center (lx at 1m)	1200 lx (3S/3C); 2100 lx (6S/6C)
Main Body	Housing: Aluminum, Cover: Tempered glass
Operating Temperature Range	-40°C~+60°C (No condensation 90%RH or less)
Mounting Direction	Any Direction (for indoor use only)
Protection Rating	add IP69K
Vibration Resistance	19.6m/s ²
Mass	1490g (3C type)

The CLK-EX Series may only be installed in places where risk of mechanical danger is limited to an impact energy of 2 Joules (1 Kg mass dropped at 20cm height).