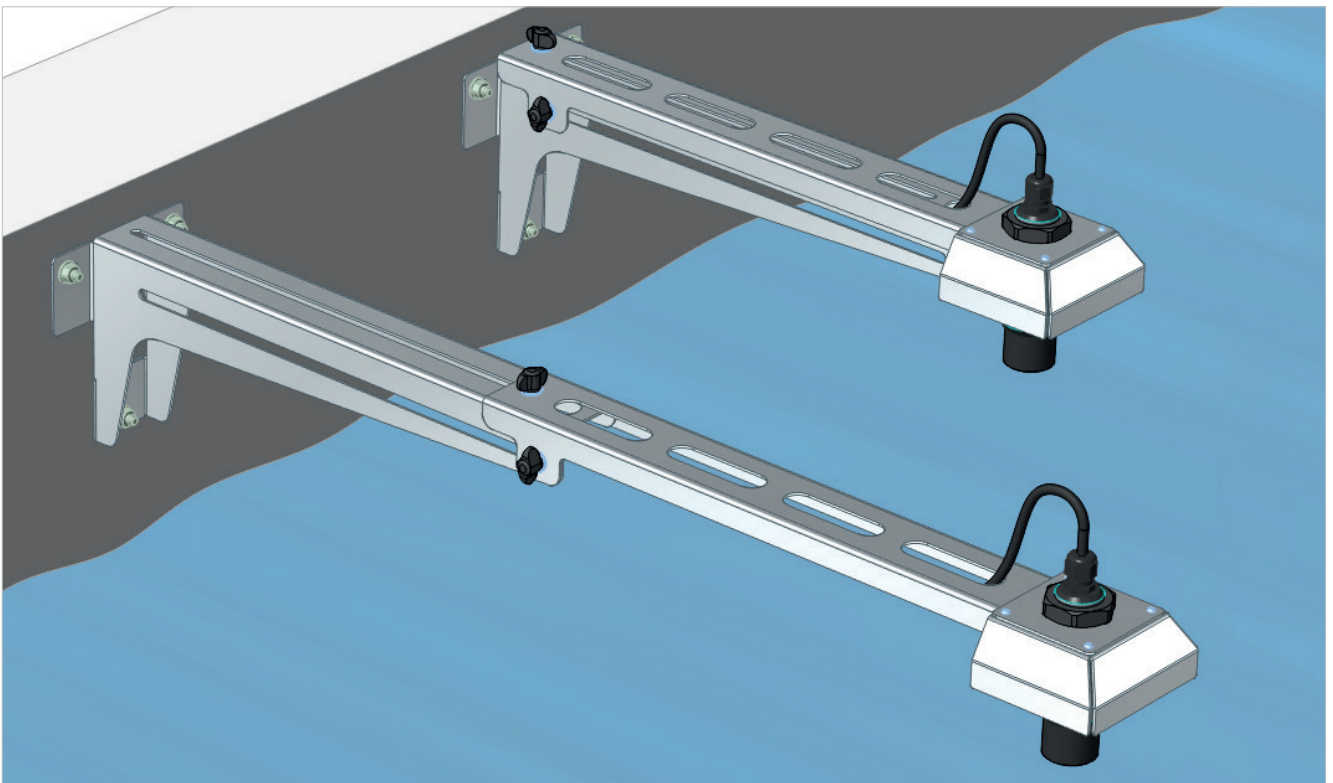


## TELESCOPIC BRACKET

Accessories for ultrasonic  
level meters ULM



CE

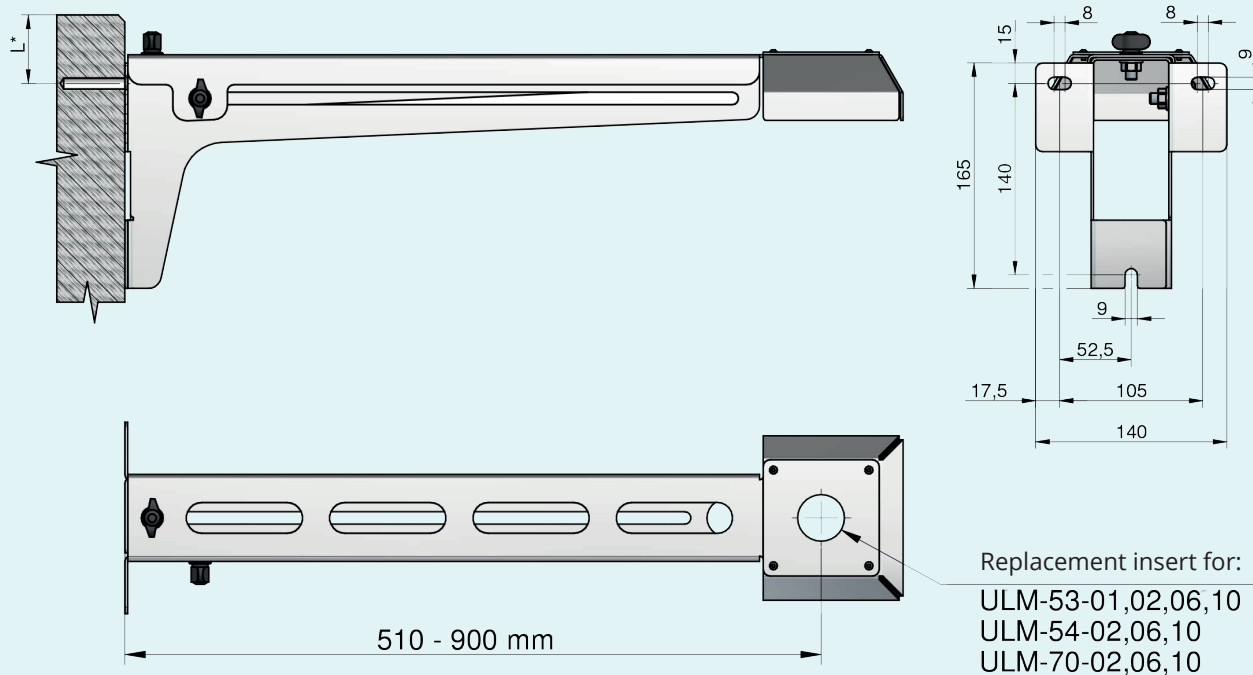


- Intended for mounting of ultrasonic level meters in outdoor applications - rivers, canals, dams, or for installation in tanks with open ceilings - sumps and shafts.
- Telescopic bracket allows the level meter to be mounted in the range of 50-90 cm from the wall.
- The connecting material is part of the console bracket (except for the screws for fixing to the wall - it is recommended to use 3x M8 through anchor).

### Technical specifications

Device mounting range	510 - 900 mm	
Process connection	G3/4"	ULM-53-01
	G1"	ULM-53-02; ULM-54-02; ULM-54-06; ULM-54-10; ULM-70-02
	G1 1/2"	ULM-53-06; (ULM-54-06); ULM-70-06
	G2 1/2"	ULM-53-10; (ULM-54-10); ULM-70-10
Material	steel W. Nr 1.4301 (AISI 304)	
Weight	~ 2,1 kg	

# DIMENSIONS



\* The distance of the holes from the upper edge of the wall should be chosen with regard to the material and its quality.

# ORDER CODE

VKD

## PROCESS CONNECTION

<b>G3/4</b>	for level meter ULM-53-01
<b>G1</b>	for level meter ULM-53-02; ULM-54-02; ULM-54-06; ULM-54-10; ULM-70-02
<b>G1 1/2</b>	for level meter ULM-53-06; (ULM-54-06); ULM-70-06
<b>G2 1/2</b>	for level meter ULM-53-10; (ULM-54-10); ULM-70-10

VKD - G3/4

CODE EXAMPLE

**SENSORMATIC**  
 SPECIALIST&SOLUTIONS

Sensormatic srl - Via della Beverara 13 - 40131 Bologna - Italia  
 Tel. +39 051 6353 511 - www.sensormatic.it

VKD-dat-2/2

**Dinel, s.r.o.**  
 U Tescomy 249, 760 01 Zlín, Czech Republic  
 tel.: +420 577 002 003  
 e-mail: sale@dinel.cz

[www.dinel.cz](http://www.dinel.cz)

version:  
 04/2021

