

DSU-1222-A

**POWER SUPPLY
AND SWITCHING UNITS**

**Dual channel unit for
FLD-32 „Flexi watch“ sensors.**



CE

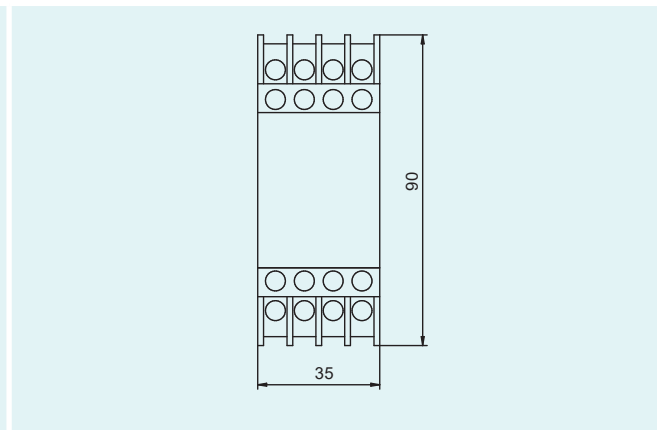
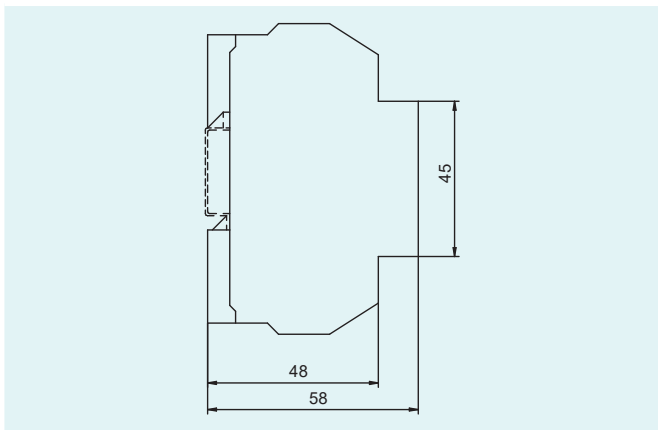


- **Dual channel unit designed for FLD-32 „Flexi watch“ sensors.**
- **Remote parameterization of connections sensors.**
- **Includes LC (level control) function.**
- **Output supply voltage 12 V.**

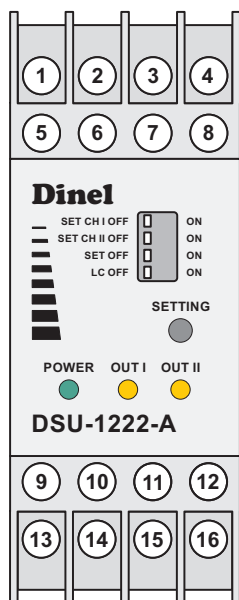
Technical specifications

Supply voltage	230 V / 50 Hz	
Power demand	4 VA	
Output voltage (terminals 5,6 - 1,2)	12 V DC	
Allowed supply voltage tolerance	± 5 %	
Maximum total load current	150 mA	
Short-circuit output current	type 300 mA	
Maximum short-circuit duration at output	unlimited	
Short circuit current of inputs	max. 6 mA	
Input terminals	after switching after disconnection tipping level	min. 2 mA max. 1 mA type 1,5 mA
Contact load capacity	max. current max. voltage max. power	3 A 250 V 500 VA
Max. switching frequency of loaded contacts	360 / h	
Contact lifetime	min. 10 ⁶ cycles	
Electric strength - mains 230V - output 12 V	4 kV	
Ambient working temperature	-20 °C ... + 50 °C	
Cover protection box	IP 20	
Cover protection terminals	IP 20	
Housing material	polycarbonate	
Terminal material	CuBe	
Max. / recommended conductor cross-section	4 mm ² / 0,5 ÷ 1 mm ²	
Weight	approx. 0,2 kg	
Connection to 230 V mains only trough a switch or circuit breaker		
Internal protection on 230 V side by fuse T 500 mA		
Electrical equipment of protection class II		
Electrical safety requirements due to EN 61010-1		
EMC EN 61000-4-2,-3,-4,-5,6,-11, EN 55011, EN 61326-1		

DIMENSIONS



FRONT PANELS AND TERMINAL NUMBERING



Signalling LEDs - DSU-1222-A

Green „POWER“

- ON - 230 VAC power connection, correct function
- OFF - fault (short circuit at power terminals)

Orange „OUT“ / „OUT I and OUT II“

- ON - output relay switched on, contacts 1 and 12 or 15 and 16 connected
- OFF - output relay released (idle state), contacts 11 and 10 or 15 and 14 connected

ELECTRICAL CONNECTION

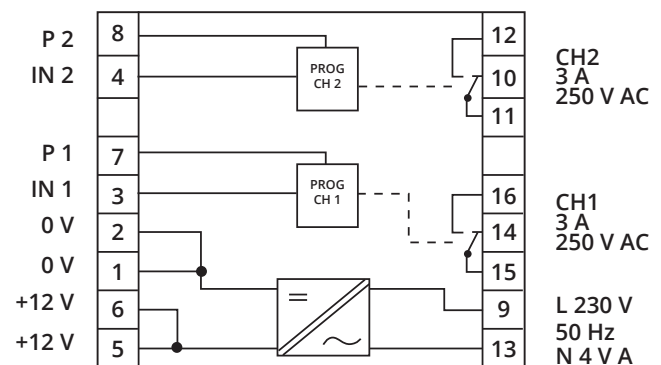
BLOCK AND WIRING DIAGRAM DSU-1222-A

Connection to sensors with NPN

+ U of sensor	terminal No. 5 or 6
output (Q) of sensor	terminal No. 3 or 4
0 V of sensor	terminal No. 1 or 2
output (P) of sensor	terminal No. 7 or 8

Connection to sensors with output „S“, Namur, contact

+ U of sensor	terminal No. 3 or 4
0 V of sensor	terminal No. 1 or 2
output (P) of sensor	terminal No. 7 or 8



Sensor type selection

switch „SET CH I OFF/ON“

- position OFF
 - disabled remote parameterization function for sensor connected to CH I
- position ON
 - the remote parameterization function for the sensor connected to CH I is enabled

switch „SET CH II OFF/ON“

- position OFF
 - disabled remote parameterization function for sensor connected to CH II
- position ON
 - remote parameterization function for the sensor connected to CH II enabled

switch „SET OFF/ON“

- position OFF
 - setting the disconnection of sensors that have remote parameterization enabled by SET CH I and SET CH II switches
- position ON
 - setting the switching of sensors that have remote parameterization enabled by SET CH I and SET CH II switches

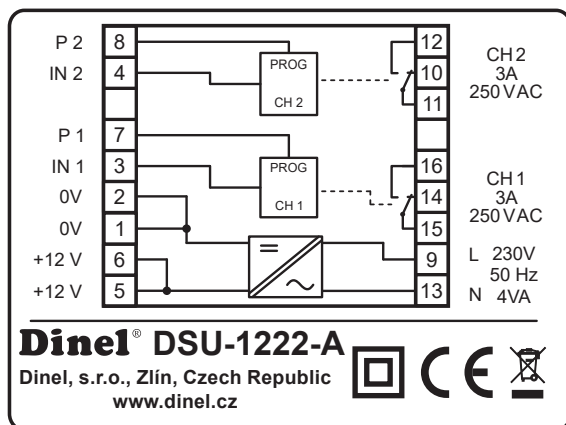
switch „LC OFF/ON“

- position OFF
 - level control disabled
- position ON
 - level control function enabled

switch „SETTING“

- button for remote parameterization of connected sensors

MARKING OF LABELS



Symbol of producer: logo Dinel®

Internet address: www.dinel.cz

Country of origin: Made in Czech Republic

Double insulation sign

(equipment protection class II.):

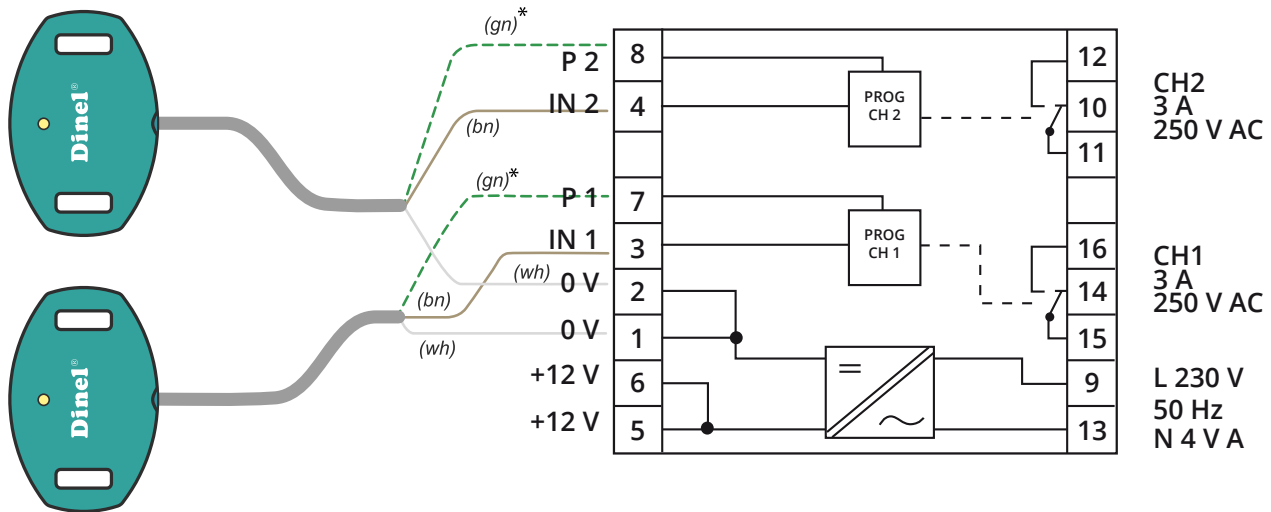
Compliance mark:

Electro-waste take-back system mark:

Block and wiring diagram.

WIRING DSU-1222-A

- The DSU-1222-A is designed to connect two limit sensors. It contains two contacts for input signals (terminal 3 and 4), contacts for connecting programming wires (terminal 7 and 8) and relay contacts (10, 11, 12 and 14, 15, 16). Setting of the unit is carried out using the switches located on the front of the unit (see electrical connections).



SAFETY, PROTECTION, COMPATIBILITY

The units include overload or short circuit protection at the output terminals. Electrical equipment of protection class II. Connection to 230 V mains only via a switch or circuit breaker.

Electrical safety according to EN 61010-1. Electromagnetic compatibility (EMC) is ensured by compliance with EN 61000-4-2, -3, -4, -5, -6 and -11; EN 55011 and EN 61326-1.

The device must only be connected to the power supply via an easily accessible switch with marked off/on positions and must be protected by a fuse or circuit breaker with a maximum value of 16 A!

The electrical connection must only be made in a voltage-free state!

- ⚠ The switch or circuit breaker used as a disconnecting means must comply with IEC60947-1 and IEC60947-3, must be marked and must not be in the mains supply.

All operations described in these operating instructions must only be carried out by a trained person or a certified person. Warranty and post-warranty repairs must be carried out only by the manufacturer.

- ⚠ Improper use, installation or adjustment can lead to application failures (tank overfilling or damage to system components).

The manufacturer is not liable for misuse, work loss resulting from either direct or indirect damage, or expenses incurred in the installation or use of the unit.

Dinel, s.r.o.
U Tescomy 249, 760 01 Zlín, Czech Republic
tel.: +420 577 002 000
e-mail: sale@dinel.cz

www.dinel.cz

version:
1/2021