

# TFS-35

# Dinel®

## THERMAL FLOW SENSOR

For limit and continuous flow rate sensing of liquid media and for monitoring of their temperature.



CE



magnetic pen for setting

- These sensors are intended for installation in pipes, in which the actual flow rate and temperature occurs
- Flow rate measurement is shown in a bar graph by five green LED diodes and in the same graduation it is possible to select the limit for output switching (unswitching)
- Optical indication of the flow rate and temperature status via two LEDs
- Can be selected either 1x current output 4..20 mA and 1x limit PNP output, or 2x limit PNP output
- Settings provided by magnetic pen
- Stainless steel case
- Process connection: thread G½" or Tri-Clamp

### Technical parameters

Supply voltage		12 ... 34 V DC
Output	TFS-35_--_-PFPT TFS-35_--_-IFPT(F)	2x PNP 1x PNP, 1x 4...20 mA
Maximum switching current		max. 300 mA
Maximum residual voltage in ON state		1,5 V
Temperature output - switching points		15 °C; 30 °C; 45 °C; 60 °C; 75 °C
Flow rate range		1 až 150 cm/s
Ambient temperature range $t_a$		-20 ... +80 °C
Pressure strength		100 bar
Process connection		thread G½" Tri-Clamp ø 50,5 mm
Protection class	TFS-35_--_-C-L_ TFS-35_--_-A(B,V,H)-L_	IP67 IP68

## BASIC FEATURES

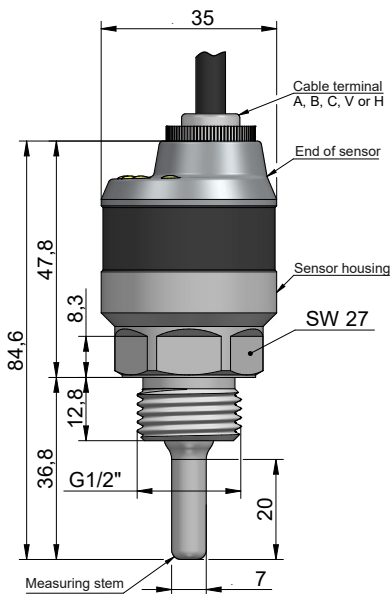
Thermal flow sensor - TFS-35 is a compact measuring device intended for industrial use for flow rate sensing of liquid media and for monitoring of their temperature when installed in a pipe. The sensor may be installed in plastic or metal pipes. Suitable for monitoring filling, cooling or lubricating media and their temperatures. Flow rate is indicated by means of a bar graph (5 green

LEDs). Output (flow rate and temperature) switching indicator by means of LED (orange and yellow).

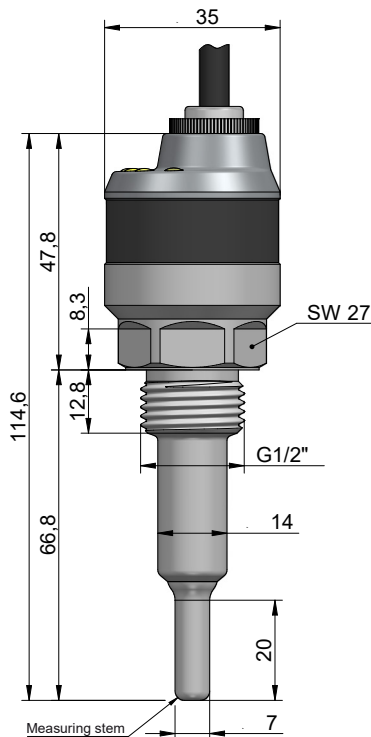
Simple configuration using a magnetic pen. Sensor is made in a stainless steel design. Quick and simple installation thanks to simple construction.

# DIMENSIONAL DRAWING

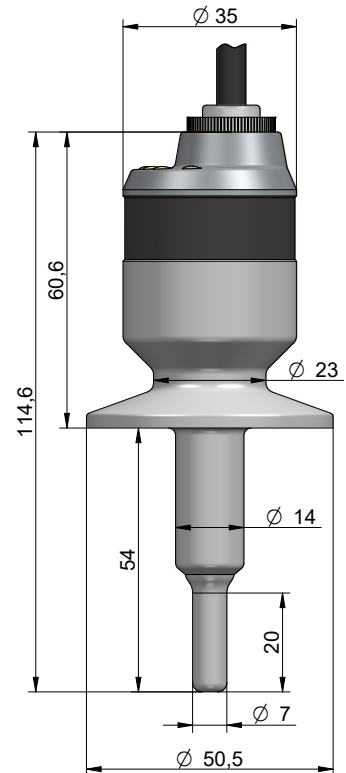
TFS-35\_-10-G1½



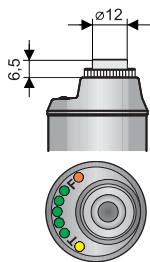
TFS-35\_-11-G1½



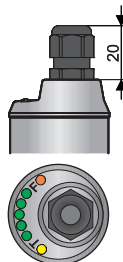
TFS-35\_-11-CI50  
(Tri-Clamp DIN 32676)



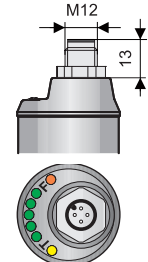
Version „A” with short stainless steel gland



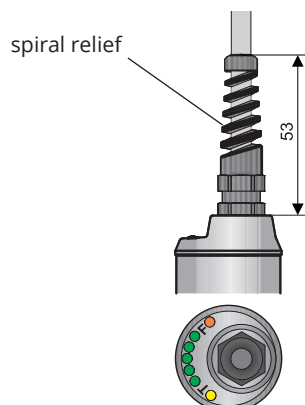
Version „B” with plastic threaded gland



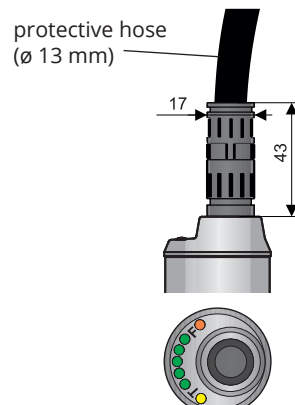
Version „C” with M12 connector



Version „V” with plastic gland with spiral relief - for increased mechanical stress on the cable



Version „H” with gland for protective hoses - for use outdoors or in areas of high humidity.



# TECHNICAL SPECIFICATIONS

BASIC TECHNICAL DATA		
Working area (EN 60079-10-1)		no explosive hazard area
Supply voltage		12 ... 34 V DC
Current consumption	TFS-35N-_-_-PFPT-_-	60mA for supply voltage U = 24V DC 70mA for supply voltage U = 18V DC 80mA for supply voltage U = 15V DC 100mA for supply voltage U = 12V DC
	TFS-35N-_-_-IFPT-_- TFS-35N-_-_-IFPF-_-	60mA for supply voltage U = 24V DC + current loop 70mA for supply voltage U = 18V DC + current loop 80mA for supply voltage U = 15V DC + current loop 100mA for supply voltage U = 12V DC + current loop
Output	TFS-35N-_-_-PFPT-_-	2 x transistor PNP with open collector (Switching current - max. 300 mA, Residual voltage-ON state - max.1,5V)
	TFS-35N-_-_-IFPT-_- TFS-35N-_-_-IFPF-_-	1 x transistor PNP with open collector (Switching current - max. 300 mA, Residual voltage-ON state - max.1,5V) 1 x active current output 4 .. 20 mA.
Maximal resistance of current output load		800 Ω for supply voltage U = 24V DC 500 Ω for supply voltage U = 18V DC 200 Ω for supply voltage U = 12V DC
Indication of incorrect settings		3,75 mA at current output + indication of bargraph
Maximum switching current		300 mA
Maximum residual voltage in ON state		1,5 V
Temperature output - switching points		15 °C; 30 °C; 45 °C; 60 °C; 75 °C
Flow speed range		1 to 150 cm/s (for water)
Temperature gradient		< 250 K/min
Isolating capacity (housing - inputs) / electrical strength		4 nF / 350 V AC
Protection		IP67 (variant C) IP68 (variant A, B, V, H)
Ambient working temperature range (ta)		-20 ... +80°C
Cable		PVC 4x 0,5 mm <sup>2</sup>
Heat up time after start		10s
Response time		2 to 15s *1)
Pressure strength		10 MPa ( 100 bar ) over full temperature range
Weight of sensor (without cable)		150 g

\*1) Depending on the flow rate and setting of the sensor.

USED MATERIALS		
part of the sensor	type	standard material
Housing (including measur. stem)	all	stainless steel W.Nr. 1.4404 (AISI 316L)
End of sensor	all	stainless steel W.Nr. 1.4301 (AISI 304)
Cable terminal	TFS-35_-_-_-_-_- A- L_-_ TFS-35_-_-_-_-_- B- L_-_ TFS-35_-_-_-_-_- V- L_-_ TFS-35_-_-_-_-_- H- L_-_	stainless steel W.Nr. 1.4571 / NBR plastic PA / NBR plastic PA / NBR plastic PA / NBR
Connector M12	TFS-35_-_-_-_-_- C- L_-_	nickel-plated brass

PROCESS CONNECTION		
name	dimensions	marking
Pipe thread	G 1/2"	G 1/2
Unpaired connection (Tri-Clamp) *2)	Ø 50,5 mm	CI50

\*2) Only for stem type 11.

# ELECTRICAL CONNECTION



Electrical connection can only be made in a voltage-free state!

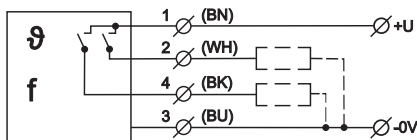
A sensor with PNP type of outputs can be loaded only by resistive or inductive loads. The positive pole of the supply voltage (+U) is connected to the brown wire *BN* or *pin connector no.1*, the negative pole (0 V) is connected to the blue wire *BU* or *pin connector no.3*. Flow rate load on the black wire *BK* or *pin connector no.4* and temperature load on the white wire *WH* or *pin connector no.2*. The capacitive loads and low resistance loads (e.g. bulb) are evaluated by the sensor as a short circuit.

Wiring diagrams are provided in the figures below.

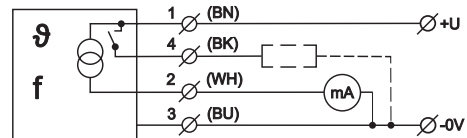
Flow sensor TFS-35 with a type A, B, V or H cable terminal, is connected to the assessment units permanently by a connection cable, see. Dimensional drawings.

The TFS-35 flow sensor with connection method type C (see Dimensional drawings) is connected to the assessment units by means of a connector socket with a pressed-in cable, or by means of a detachable connector socket without a cable (e.g. ELWIKA), see accessories. In this case the cable is connected to the inside pins of the socket according to the figure below. The recommended diameter of this cable when using ELWIKA connectors is 4 to 6 mm (the recommended wire

## Connection of flow sensor TFS-35-\_-\_-PFPT



## Connection of flow sensor TFS-35-\_-\_-IFPF and TFS-35-\_-\_-IFPT



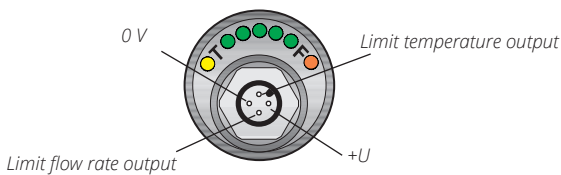
## Connection of outputs in variant PFPT

- Limit flow rate output - black wire of cable (BK),  
- or pin 4 of connector
- Limit temperature output - white wire of cable (WH),  
- or pin 2 of connector

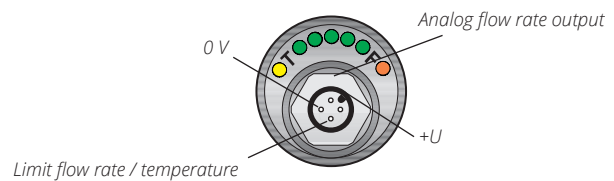
## Connection of outputs in variant IFPF (IFPT)

- Analog flow rate output - white wire of cable (WH),  
- or pin 2 of connector
- Limit flow rate (temper.) output - black wire of cable (BK),  
- or pin 4 of connector

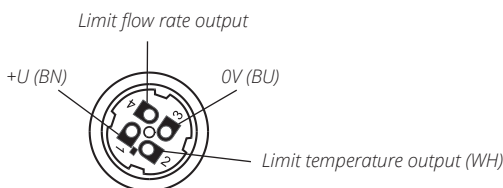
## Connector of flow sensor TFS-35-\_-\_-PFPT



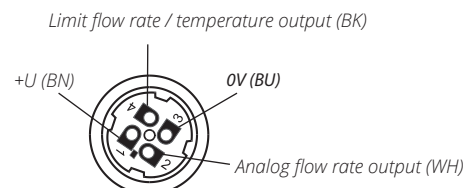
## Connector of flow sensor TFS-35-\_-\_-IFPF a TFS-35-\_-\_-IFPT



## Inside view of the connector socket (variant „C-PFPT“)



## Inside view of the connector socket (variant „C-IFPF(P)“)



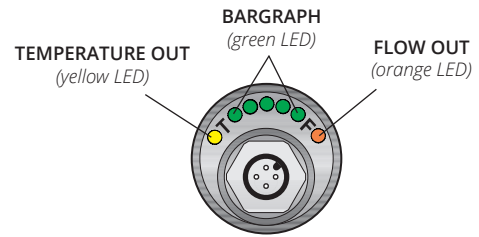
Legend:

BN - brown      BK - black  
WH - white      BU - blue

# SETTINGS

Settings are performed by placing the magnetic pen on to the sensitive spot marked "T" or "F" located between the LEDs. In this way, the minimum and maximum flow rate, flow rate switching point, temperature switching point, switching modes (O, C) are set or the factory setting are restored. An incorrect setting is indicated by the green LEDs gradually turning on and off, going from the centre to the edges.

Information on settings of the sensor is provided in the user's manual.



## ORDER CODE

### PRODUCT

TFS-35

### PERFORMANCE

**N** non-explosive areas

### TYPE OF STEM

- 10** bare cylindrical
- 11** bare cylindrical extended length

### PROCESS CONNECTION

- G½** pipe thread G 1/2
- CI50** Tri-Clamp (Ø 50,5 mm), not selectable for stem type 10

### TYPE OF OUTPUT

- PFPT** 1. output – Limit flow rate output (transistor PNP with open collector)  
2. output – Limit temperature output (transistor PNP with open collector)
- IFPF** 1. output – Limit flow rate output (current 4 .. 20 mA)  
2. output – Limit flow rate output (transistor PNP with open collector)
- IFPT** 1. output – Limit flow rate output (current 4 .. 20 mA)  
2. output – Limit temperature output (transistor PNP with open collector)

### CONNECTION METHOD

- A** stainless steel press-in terminal (+ cable length)
- B** plastic threaded terminal (+ cable length)
- C** connector (socket not included with sensor, recommended type - see accessories)
- V** plastic terminal with a spiral (+ cable length)
- H** plastic terminal for protective hose (+ cable length)

### STEM LENGTH (IN MM)

- L20** 20 mm, cannot be used for type 11
- L50** 50 mm, cannot be used for type 10

### CABLE

- K** cable length in m







TFS-35 N - 10 - G½ - PFPT - A - L20 K 2 m

CODE EXAMPLE

# FUNCTION AND STATUS INDICATION

signal	colour	function
"FLOW OUTPUT"	orange	<p><b>Flow rate output status indicator</b>  <b>permanently shine</b> - output is switched  <b>dark</b> - output is unswitched  <b>Maximum flow rate setting</b>  <b>light with gradual lighting of green LEDs</b> - maximum flow rate is being set  <b>3 flashes</b> - confirmation that settings are saved</p>
"BARGRAPH" ( 5 LED )	green	<p><b>Flow rate indicator</b>  <b>gradual lighting up of LEDs from left to right</b> - depending on the flow rate range settings  <b>incorrect setting</b> - gradual turning on and off, going from the centre to the edges  <b>Flow rate / temperature switching point settings</b>  <b>one LED is permanently shine</b> - when this point is reached, the flow rate / temperature output is switched / unswitched</p>
"TEMPERATURE OUTPUT"	yellow	<p><b>Temperature output status indicator</b>  <b>permanently shine</b> - output is switched  <b>dark</b> - output is unswitched  <b>Minimum flow rate setting</b>  <b>light with gradual lighting of green LEDs</b> - maximum flow rate is being set  <b>3 flashes</b> - confirmation that settings are saved</p>

# ACCESSORIES

1 pcs. magnetic pen	included	MP-8	
various types of seals (PTFE, Al, apod.)	extra charge		
cable (over the standard 2m length)	extra charge		
connector socket	extra charge	ELWIKIA, ELKA	
standard steel or stainless steel welding flange	extra charge	ON-__ NN-__	
protective hose (for type of cable terminal H)	extra charge	OH-10	
stainless steel fixing nut	extra charge	UM-__	

## SAFETY, PROTECTION AND COMPATIBILITY

The flow sensor **TFS-35** is equipped with protection against voltage polarity reversal, protection against current overload and protection against short term overvoltage.

Protection against dangerous contact is provided by low safety voltage according to 33 2000-4-41.

Electromagnetic compatibility is provided by conformity with standards EN 55011 / B, EN 61326-1, EN 61000-4-2 (8 kV), -4-3 (10 V/m), -4-4 (2 kV), -4-5 (1 kV) and -4-6 (10 V).

## PACKAGING, SHIPPING AND STORAGE

The TFS-35 device is supplied packaged in a cardboard box that protects it against mechanical damage.

When handling and during transport, it is necessary to prevent impacts and falls.

The TFS-35 electrical device must be stored in dry enclosed areas with humidity up to 85%, free of aggressive vapours at temperatures between -10°C and 50°C, and must be protected against the effects of weather.



Sensormatic srl - Via della Beverara 13 - 40131 Bologna - Italia  
Tel. +39 051 6353 511 - [www.sensormatic.it](http://www.sensormatic.it)

*The manufacturer reserves the right to change the specifications and appearance of the product without prior notice.*

**Dinel, s. r. o.**  
U Tescomy 249, 760 01 Zlín  
Czech Republic  
**phone: +420 577 002 003**  
**e-mail: [sale@dinel.cz](mailto:sale@dinel.cz)**

[www.dinel.cz](http://www.dinel.cz)

version:  
9/2023

