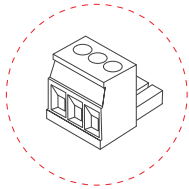
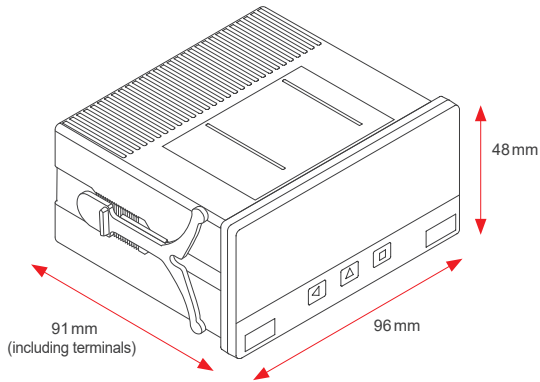


# VI96 DISPLAY

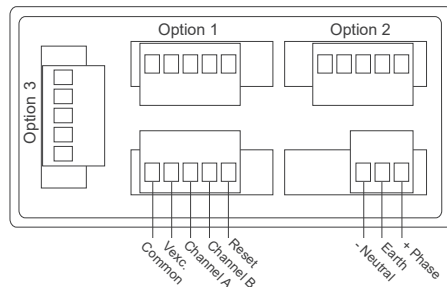
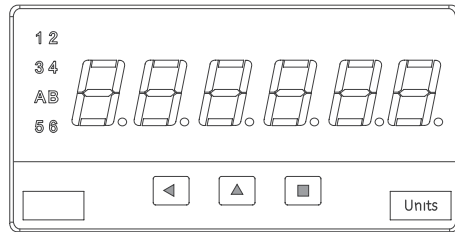
## IMPULSE COUNTER, RATEMETER AND PERIODMETER



- Reading at 6 digits with 14 mm digit height
- Standard size of 96 x 48 mm
- Admits all type of impulse signals and encoders
- Provides excitation voltage for the sensor
- Universal high and low AC and DC power options
- Optional output modules



Detail of the plug-in screw terminal. The instrument is provided with all male and female terminals needed.



### REFERENCE

Reference example: VI96-2000

Serie	Power supply	Option 1	Option 2	Option 3
VI96 -	<input type="checkbox"/>	<input type="checkbox"/>	<input type="checkbox"/>	<input type="checkbox"/>
	1. 85-265 Vac/dc 2. 11/60 Vdc, 24 Vac, 48 Vac	0. None 1. 1 Relay 2. Analog output 3. Modbus RTU 4. RS-485 5. RS-232 6. 1 Transistor 7. 1 SSR Control	0. None 1. 1 Relay 2. Analog output 3. Modbus RTU 4. RS-485 5. RS-232 6. 1 Transistor 7. 1 SSR Control	0. None 1. 1 Relay 2. Analog output 3. Modbus RTU 4. RS-485 5. RS-232 6. 1 Transistor 7. 1 SSR Control

Order your reference  
Step file 3D

[info@encoderhohner.com](mailto:info@encoderhohner.com)

service available in 24 h

# VI96

## IMPULSE COUNTER, RATEMETER AND PERIODMETER

### TECHNICAL SPECIFICATIONS

Digits	6
Reading	999999 / -199999
Decimal point	Configurable
Led color	Red (standard)
Digital height	14 mm
Signals accepted	NPN, PNP, Namur, pick-up, TTL, inductive, mechanical, quadrature...
Excitation voltage	+5 Vdc, +9 Vdc, +15 Vdc, +18 Vdc (max. 70 mA)
Maximum Vdc at input terminals	±30 Vdc
Quartz accuracy	±0.01 %
Thermal stability	20 ppm/°C
Display refresh	15 refresh / second
Maximum frequencies	Counter up to 250 KHz Ratemeter and periodmeter up to 500 KHz
Minimum frequencies	Ratemeter and periodmeter down to 1 mHz (0.001 Hz)
Power 'H'	85 to 265 Vac/dc (isolated 1500 Veff)
Power 'L'	11 to 60 Vdc and 24/48 Vac (isolated 1500 Veff)
Retransmission and control options	Relays, analog output, serial communications...
Consumption	<1.5 W (meter only) <4.0 W (meter with options)
Front protection	IP65
Connections	Plug-in screw terminal
Weight	<150 grams
Mounting	Panel
Front size	96 x 48 mm
Panel cut-out	92 x 44 mm
Deep	91 mm (including terminals)
Operating temperature range	0 to 50 °C

# VI96

## IMPULSE COUNTER, RATEMETER AND PERIODMETER

### FUNCTIONS INCLUDED

Fast access' menu	A single press on the front keypad gives access to alarm setpoint modification, preset, memories...
Function 'SLOW'	Special mode for low frequency ratemeter applications
Function 'FAST'	Special mode for high frequency counter applications
Scaling factor	Multiplier and divider from 1 to 999999
Configurable reset	Front and rear reset, and reset linked to alarm activation
Preset	Configurable
Trigger level	Configurable
Function 'Trigger Sense'	Help on setting the correct trigger level
Sensor selection	By menu
Cycle counter	Count of cycles defined by the 'on alarm reset' function
Retention memory	Recovers the counting value in case of power loss
On power-up' function	Protects remote systems by delaying the output and control signals at cold start-up
Alarms	With one or two setpoints, independent activation and deactivation delays, hysteresis, optional manual deactivation of the relay
Inverted relay	For security applications
Display filters	Recursive filters for unstable signals
Brightness	5 levels of brightness intensity
Password	Blocks access to configuration menu

### ACCESSORIES EXAMPLES



Wall box



DIN Adapter



Benchtop housing



Protector



Adapter

Accessories available upon request