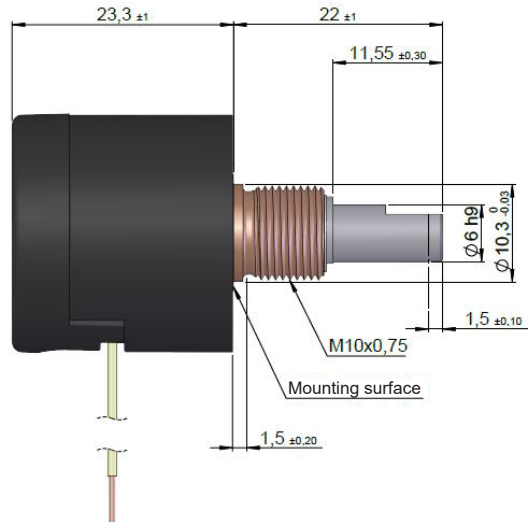
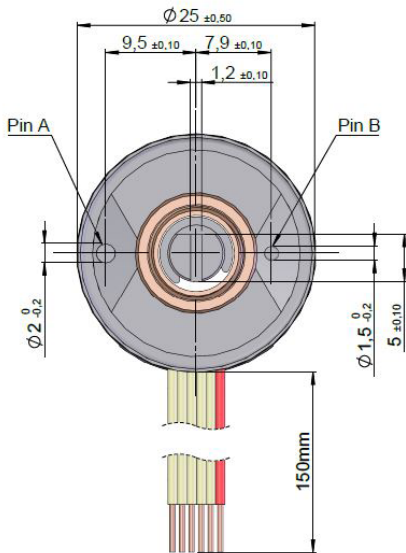




SERIE CM26M

ABSOLUTE MULTITURN MAGNETIC ENCODER

- System contactless Hall Effect which guarantees over 100 million turns of life
- Programmable up to 72000° (200 turns)
- Resolution 12 bits
- External diameter 25 mm
- Shaft \varnothing 6 mm
- Analog output 0...10V
- Mechanically 100% interchangeable with available potentiometers in the market



REFERENCE

Reference example: CM26M-22-3600

Serie	Mechanical option	Output signal	Measurement range (in degrees)	Special Customer
CM26M -	<input type="checkbox"/>	<input type="checkbox"/> -	<input type="checkbox"/> <input type="checkbox"/> <input type="checkbox"/> <input type="checkbox"/> <input type="checkbox"/> <input type="checkbox"/>	<input type="checkbox"/> <input type="checkbox"/>
	2. Thread 10x0,75 mm / Shaft \varnothing 6 mm Pin A - Pin B	2. Analog output 0...10V	3600. Standard (3600° - 10 turns) (*)	

Order your reference
Step file 3D

info@encoderhohner.com

service available in 24 h

(*) Programmable up to 72000° (200 turns).

The CM26M series enables easy, flexible and perfect adjustment of start and end points of the analog output signal and the sense of rotation direction by the user.



Previous assembly and installation reading "Programming Manual CM26M" is recommended:
www.encoderhohner.com/product/cm26m/

SERIE CM26M

ABSOLUTE MULTITURN MAGNETIC ENCODER

MECHANICAL SPECIFICATIONS

Materials	Housing: Plastic / Bronze Shaft: Stainless Steel
Bearings	Sleeve bearing
Mechanical angle	Endless
Lifetime	> 100x10 ⁶ shaft rotating movements
Maximum number of revolutions permitted mechanically	100 rpm
Protection against dust and splashes according to DIN EN 60529	IP 40
Operational torque	0,1 ≤ M ≤ 0,6 Ncm
Maximum load permitted on radial shaft	1 N
Mounting parts (included)	Hexagonal nut, 14 mm + tooth washer
Torque nut assembly	≤ 3 Nm
Weight aprox.	0,3 Kg
Operating temperature range	-40°C to +85°C
Vibration according to DIN EN 60068-2-6	±1,5 mm / 20 g / 10...2000 Hz / 16 frequency cycles (3x4 h)
Shock according to DIN EN 60068-2-27	50 g / 11 ms / halfsine (3x6 shocks)
Radial connection	Flat ribbon cable (0,15 m)

ELECTRICAL SPECIFICATIONS

Measuring range	0...72000° (200 turns)
Independent linearity	±0.05 % (3600°)
Absolute linearity	±0.1 % (3600°)
Resolution	12 bits
Update rate	3 ms
Max. number of programming cycles	10.000
Output signal	0...10 V
Power supply	9...30 VDC 15...30 VDC
Power consumption (without load)	< 10 mA
Output load	≥ 5KΩ
Insulation voltage	1000 VAC (50 Hz, 1 min)
Insulation resistance	2 MΩ (500 VDC, 1 min)

(*) For detecting absolute position (> 360°) the sensor should not be turned more than 179° without supply voltage.

CONNECTION



	Flat ribbon cable AWG28 RM / 1.27
DIR	1 (red)
END (programming cable)	2
START (programming cable)	3
VCC	4
OUT	5
GND	6