

# SERIE E24 CS ANA

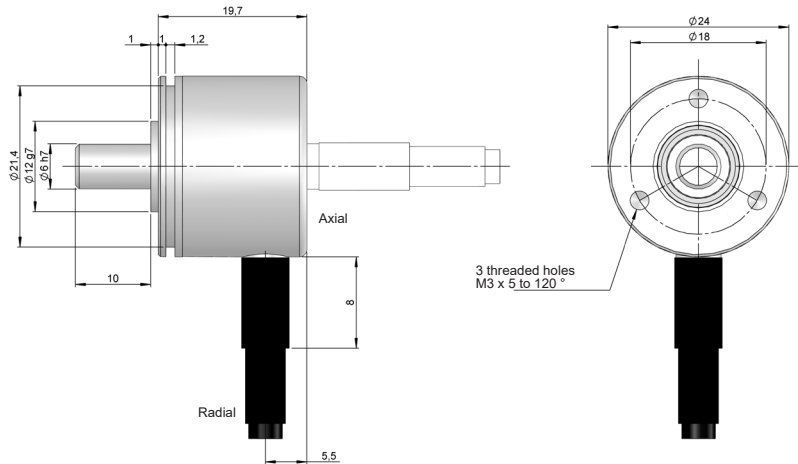
## MINIATURE SOLID SHAFT ABSOLUTE SINGLETURN ENCODER



- Analog output
- Resolution up to 12 bits
- External diameter 24 mm
- Solid shaft  $\varnothing$  4 or 6 mm
- Protection class IP64 according to DIN EN 60529
- Connection by cable (other cable length available)



Magnetic Encoder	Absolute Encoder	Miniature Encoder	Vibration and shock resistant	IP64	Analog output	Express Delivery



Drawing shaft type 2 and connection type 1/2

### REFERENCE

Reference example: E24CS-ANA-1213-12180

Serie	Interface	Solid shaft	Connection	Code	Interface / Supply Voltage	Resolution	Measuring range	Special customer
E24CS -	ANA -	<input type="checkbox"/>	<input type="checkbox"/>	<input type="checkbox"/>	<input type="checkbox"/> -	<input type="checkbox"/> <input type="checkbox"/>	<input type="checkbox"/> <input type="checkbox"/> <input type="checkbox"/>	<input type="checkbox"/> <input type="checkbox"/> <input type="checkbox"/> <input type="checkbox"/>
	ANA. Analogue	1. $\varnothing$ 4 mm 2. $\varnothing$ 6 mm	1. Axial cable 2. Radial cable	1. CW 2. CCW	3. 0-20 mA, 12-18V 4. 4-20 mA, 12-18V 5. 0-20 mA, 20-28V 6. 4-20 mA, 20-28V 7. 0-10V, 15-30V 8. 0-5V, 15-30V	12. 12 bits	180. 180° electrical 360. 360° electrical (*)	

(\*) Measuring range can be factory configured from 18° to 360°.

Order your reference  
Step file 3D

[info@encoderhohner.com](mailto:info@encoderhohner.com)  
service available in 24 h

# SERIE E24 CS ANA

## MINIATURE SOLID SHAFT ABSOLUTE SINGLETURN ENCODER

### MECHANICAL SPECIFICATIONS


Materials	Cover: Aluminium Housing: Aluminium Shaft: Brass
Bearings	Ballraces
Bearings lifetime	1x10 <sup>10</sup> rev.
Maximum number of revolutions permitted mechanically	6000 rpm
Protection against dust and splashes according to DIN EN 60529	IP 64
Rotor inertia moment	2 gcm <sup>2</sup>
Starting torque at 20°C (68°F)	< 0,01 Nm
Maximum load permitted on axial shaft	20 N
Maximum load permitted on radial shaft	10 N
Weight aprox.	0,06 Kg
Operating temperature range	-40°C to +85°C
Vibration according to DIN EN 60068-2-6	100 m/s <sup>2</sup> (10Hz...2000Hz)
Shock according to DIN EN 60068-2-27	1000 m/s <sup>2</sup> (6ms)
Axial or radial connection	2 meters cable (other cable lengths available or connector mounted at the end of the cable, upon request)

### ELECTRICAL SPECIFICATIONS

Interface	Analog
Electronic output	0..20mA , 4..20mA, 0..5V, 0..10V
Power supply (VCC)	12-18V, 20-28V, 15-30V
Consumption	≤ 30 mA
Resolution	Up to 12 bits
Range	180° and 360° electrical (*)
Short circuit protection	Yes
Protection polarity inversion	Yes

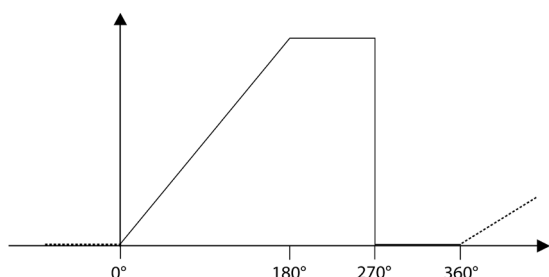
(\*) Measuring range can be factory configured from 18° to 360°.

### CONNECTION

	
	<b>Cable</b> 2x2x0,14+1x0,14 95.0008002
GND	White
VCC	Brown
I <sub>out</sub> / V <sub>out</sub>	Green

### MEASURING RANGE

Measuring range 180°



Measuring range 360°

