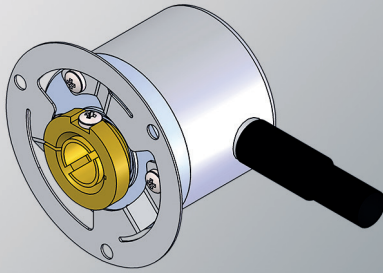


SERIE E24 HS ANA

MINIATURE BLIND HOLLOW SHAFT ABSOLUTE SINGLETURN ENCODER



- Analog output
- Resolution up to 12 bits
- External diameter 24 mm
- Blind hollow shaft \varnothing 6 mm
- Protection class IP64 according to DIN EN 60529
- Anti-rotation system through flexible flange
- Connection by cable (other cable length available)



Magnetic Encoder



Absolute Encoder



Analog output



Miniature Encoder



Vibration and shock resistant

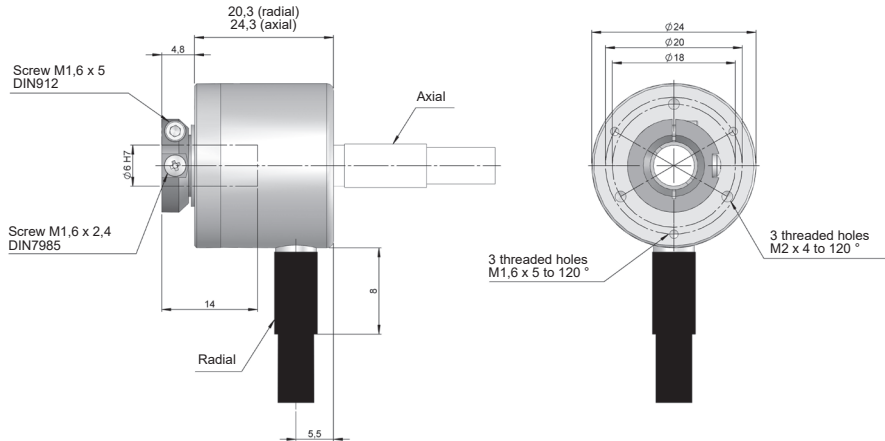


IP64



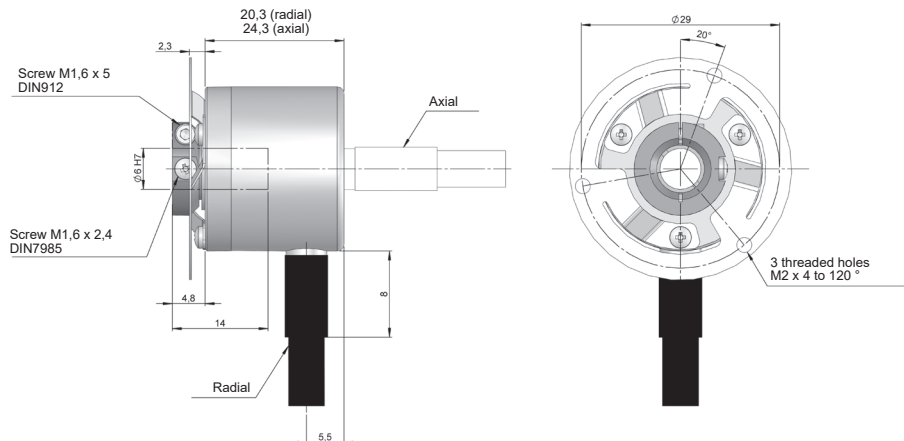
Express Delivery

None



Drawing anti-rotation system type 1, connection type 1 and 2

Flexible flange (90.1116)



Drawing anti-rotation system type 2, connection type 1 and 2

SERIE E24 HS ANA

MINIATURE BLIND HOLLOW SHAFT ABSOLUTE SINGLETURN ENCODER

REFERENCE Reference example: E24HS-ANA-11226-12180

Serie	Interface	Anti-rotation system	Blind-Hollow shaft	Connection	Code	Interface / Supply Voltage	Resolution	Measuring range	Special customer
E24HS -	ANA -	<input type="checkbox"/>	<input type="checkbox"/>	<input type="checkbox"/>	<input type="checkbox"/>	<input type="checkbox"/> -	<input type="checkbox"/> <input type="checkbox"/>	<input type="checkbox"/> <input type="checkbox"/> <input type="checkbox"/>	<input type="checkbox"/> <input type="checkbox"/> <input type="checkbox"/> <input type="checkbox"/>
	ANA. Analogue	1. None 2. Flexible flange (90.1116)	1. Ø 6 mm	1. Axial cable 2. Radial cable	1. CW 2. CCW	3. 0-20 mA, 12-18V 4. 4-20 mA, 12-18V 5. 0-20 mA, 20-28V 6. 4-20 mA, 20-28V 7. 0-10V, 15-30V 8. 0-5V, 15-30V	12. 12 bits	180. 180° electrical 360. 360° electrical (*)	

Order your reference
Step file 3D

info@encoderhohner.com
service available in 24 h

(*) Measuring range can be factory configured from 18° to 360°.

MECHANICAL SPECIFICATIONS

Materials	Cover: Aluminium Housing: Aluminium Shaft: Brass
Bearings	Ballraces
Bearings lifetime	1x10 ¹⁰ rev.
Housing fixing	Flexible flange (included)
Permitted misalignment	± 0.1 mm axial, ±0.1 mm radial
Shaft fixing	Clamp
Blind hollow shaft diameter	6 mm
Maximum number of revolutions permitted mechanically	6000 rpm
Protection against dust and splashes according to DIN EN 60529	IP 64
Rotor inertia moment	2 gcm ²
Starting torque at 20°C (68°F)	< 0,01 Nm
Maximum load permitted on axial shaft	10 N
Maximum load permitted on radial shaft	10 N
Weight approx.	0,06 Kg
Operating temperature range	-40°C to +85°C
Vibration according to DIN EN 60068-2-6	100 m/s ² (10Hz...2000Hz)
Shock according to DIN EN 60068-2-27	1000 m/s ² (6ms)
Axial or radial connection	2 meters cable (other cable lengths available or connector mounted at the end of the cable, upon request)

SERIE E24 HS ANA

MINIATURE BLIND HOLLOW SHAFT ABSOLUTE SINGLETURN ENCODER

ELECTRICAL SPECIFICATIONS

Interface	Analog
Electronic output	0..20mA , 4..20mA, 0..5V, 0..10V
Power supply (VCC)	12-18V, 20-28V, 15-30V
Consumption	≤ 30 mA
Resolution	Up to 12 bits
Range	180° and 360° electrical (*)
Short circuit protection	Yes
Protection polarity inversion	Yes

(*) Measuring range can be factory configured from 18° to 360°.

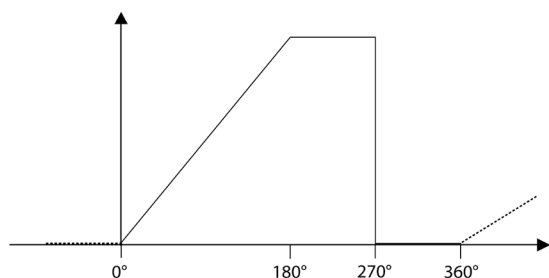
CONNECTION



	Cable 2x2x0,14+1x0,14 95.0008002
GND	White
VCC	Brown
I_{out} / V_{out}	Green

MEASURING RANGE

Measuring range 180°



Measuring range 360°

