

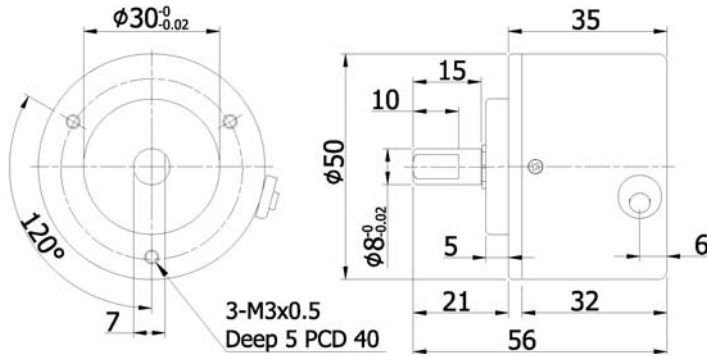
HTR-5B

ROTARY ENCODER LIGHT DUTY



- Light Duty
- Shaft Diameter 8 mm
- Push Pull, Line Driver
- DC 5~26V

DIMENSION



ORDERING INFORMATION

HTR-5B -

A -
Pulse per Revolution

Electronics

5, 10, 50, 100, 200,
300, 360, 400, 500,
600, 900, 1000,
1024, 1200, 1500,
1800, 2000, 2048,
2500

P: Push Pull
*H: Line Driver

ELECTRICAL SPEC.

Detection System	Incremental
Output Wave	Square Wave
Standard Number of Pulse Per Revolution	5, 10, 50, 100, 200, 300, 360, 400, 500, 600, 900, 1000, 1024, 1200, 1500, 1800, 2000, 2048, 2500
Output Phase	ABZ phase
Electronics	Push Pull, Line Driver
Power Supply	DC 5~26V
Current Consumption	≤ 60 mA
Output Capacity	Sync. Current: 20 mA, Residual Voltage: 0.5V or less
Max. Response	Max. 100K Hz
Phase Different	A, B phase different $90^\circ \pm 45^\circ$ (T/4 \pm T/8), Z phase T \pm T/2
Wave Form Rise / Fall	2 μ s or less
Polarity	Against Reverse Protection

MECHANICAL SPEC.

Shaft Diameter	8 mm
Shaft Loading	(5 ~ 1024 PPR) Axial: 3 Kg, Radial: 5 Kg (over 1024 PPR) Axial: 1 Kg, Radial: 2 Kg
Starting Torque (at 25°C)	40 gf-cm or less
Max. Speed	6,000 rpm
Vibration	Max. 10g (10 ~55 Hz / 1.5 mm X.Y.X. 2Hr)
Shock	20g per 11 ms
Cable	Ø 4.5, 1000 mm long
Weight	≤ 200g

ENVIRONMENTAL SPEC.

Operating Temp. / Humidity	0°C ~ 60°C, RH 35% ~ 90% (No Condensation)
Storage Temp.	-20°C ~ 70°C
Protection	IP50: Dust Proof