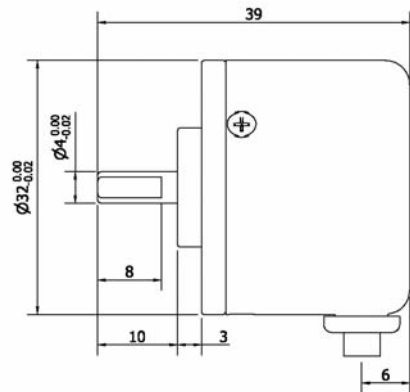
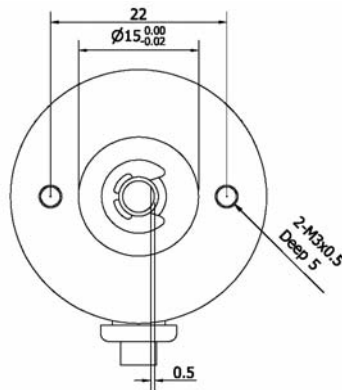


HTR-OS

ECONOMICAL & SMALL ROTARY ENCODER



ELECTRICAL SPEC.

Detection System	Incremental
Output Wave	Square Wave
Standard Number of Pulse Per Revolution	10, 40, 50, 60, 100, 150, 200, 250, 300, 360, 400, 500
Output Phase	AB phase
Electronics	NPN Voltage, NPN Open Collector
Power Supply	DC 5~12V or DC 10~26V for NPN Voltage, DC 5~26V for NPN Open Collector
Current Consumption	≤ 50 mA
Output Capacity	Sync. Current: 20 mA, Residual Voltage: 0.5V or less
Max. Response	10K Hz ~ 100K Hz
Phase Different	A, B phase different 90°±45° (T/4±T/8)
Wave Form Rise / Fall	2 μs or less
Polarity	Against Reverse Protection

MECHANICAL SPEC.

Shaft Diameter	4 mm
Shaft Loading	Axial: 0.5 Kg, Radial: 1 Kg
Starting Torque (at 25°C)	20 gf-cm or less
Max. Speed	6,000 rpm
Vibration	10g (10±1,500 Hz)
Polarity	Against Reverse Protection
Shock	20g per 11 ms
Cable	Ø4.5, 50 cm long
Weight	≤ 100g

ENVIRONMENTAL SPEC.

Operating Temp. / Humidity	-10°C ~ 60°C, RH 35% ~ 90% (No Condensation)
Storage Temp.	-20°C ~ 80°C
Protection	IP50: Dust Proof

ORDERING INFORMATION

HTR-OS	<i>Pulse per Revolution</i>	-	<i>Output Phase</i>	-	<i>Electronics</i>	-	<i>Supply Voltage</i>
	10, 40, 50, 60, 100, 150, 200, 250, 300, 360, 400, 500 P/R		2: AB phase		LV: NPN Voltage		Blank: 5~12Vdc
					HV: NPN Voltage		Blank: 10~26Vdc
					C: NPN Open-Collector		Blank: 5~26Vdc