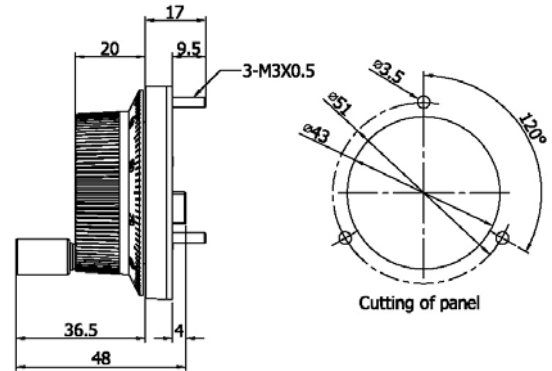
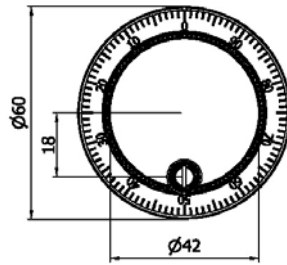


HPG-N2

MANUAL PULSE GENERATOR



ELECTRICAL SPEC.

Detection System	Incremental
Output Wave	Square Wave
Standard Number of Pulse Per Revolution	25, 100
Output Phase	AB phase
Electronics	NPN Voltage, NPN Open Collector or Line Driver
Power Supply	DC 8~26V, DC 5V fixed
Current Consumption	< 60 mA
Output Capacity	Sync. Current: 20 mA, Residual Voltage: 0.5V or less
Max. Response	5K Hz
Phase Different	A, B phase different $90^\circ \pm 45^\circ$ (T/4±T/8)
Wave Form Rise / Fall	5 μ s or less for NPN Voltage, NPN Open Collector 350 ns or less for Line Driver

MECHANICAL SPEC.

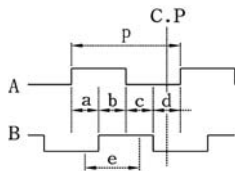
Starting Torque (at 25°C)	> 600 g
Max. Speed	600 rpm (Maximum); 200 rpm (Continuous)
X.Y.Z. Vibration	10 ~ 50 Hz / 1.5 mm X.Y.Z. (2hr)
Shock	50 g per 11 ms
Rotational Life	10^6 cycles (200 rpm)
Weight	\leq 250 g

ENVIRONMENTAL SPEC.

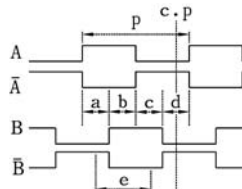
Operating Temp. / Humidity	-10°C ~ 60°C, RH 35% ~ 90% (No Condensation)
Storage Temp.	-20°C ~ 80°C

OUTPUT WAVE FORM (Clockwise rotation is "CW Rotation" looked from the front side)

NPN Voltage / NPN Open Collector



Line Driver



- P = 1 P/R; a, b, c, d = P/4 ± P/6
- C.P= click point
(For 25 P/R, C.P is at each position of a, b, c, d, 25 PPR a, b, c, d)
- Point e is recommended as the system switching timing. e

ORDERING INFORMATION

HPG - N2 -	<i>Pulse per Revolution</i>	-	<i>Electronics & Supply Voltage</i>
	25: 25 PPR 100: 100 PPR		V: NPN Voltage 8~26Vdc V5: NPN Voltage 5Vdc C: NPN Open-Collector 5~26Vdc L: Line Driver 5Vdc

ELECTRICAL CONNECTION

