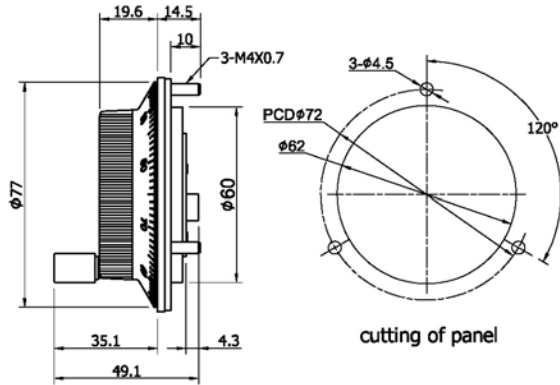
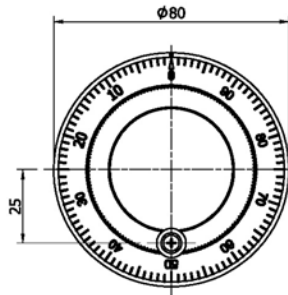


HPG-N4

MANUAL PULSE GENERATOR



ELECTRICAL SPEC.

Detection System	Incremental
Output Wave	Square Wave
Standard Number of Pulse Per Revolution	25, 100
Output Phase	AB phase
Electronics	NPN Voltage and Line Driver
Power Supply	DC 8~26V, DC 5V fixed
Current Consumption	< 60 mA
Output Capacity	Sync. Current: 20 mA, Residual Voltage: 0.5V or less
Max. Response	10K Hz
Phase Different	A, B phase different 90°±45° (T/4±T/8)
Wave Form Rise / Fall	2 µs or less

MECHANICAL SPEC.

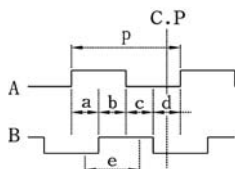
Shaft Loading	Axial: 1 Kg, Radial: 2 Kg
Starting Torque (at 25°C)	> 600 g
Max. Speed	600 rpm (Maximum); 200 rpm (Continuous)
X.Y.Z. Vibration	10 ~ 50 Hz / 1.5 mm X.Y.Z. 2hr
Shock	50 g per 11 ms
Rotational Life	10 ⁶ cycles (200 rpm)
Weight	≤ 400 g

ENVIRONMENTAL SPEC.

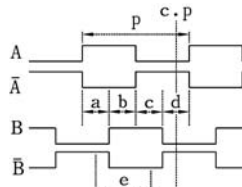
Operating Temp. / Humidity	-10°C ~ 60°C, RH 35% ~ 90% (No Condensation)
Storage Temp.	-20°C ~ 80°C

OUTPUT WAVE FORM (Clockwise rotation is "CW Rotation" looked from the front side)

NPN Voltage / NPN Open Collector



Line Driver



- P = 1 P/R; a, b, c, d = P/4 ± P/6
- C.P.= click point
(For 25 P/R, C.P is at each position of a, b, c, d)
- Point e is recommended as the system switching timing.

ORDERING INFORMATION

HPG - N4	-	<i>Pulse per Revolution</i>	-	<i>Electronics & Supply Voltage</i>
		25: 25 PPR		V: NPN Voltage 8~26Vdc
		100: 100 PPR		V5: NPN Voltage 5Vdc
				L: Line Driver 5Vdc
				HL: Line Driver 5~26Vdc

ELECTRICAL CONNECTION

