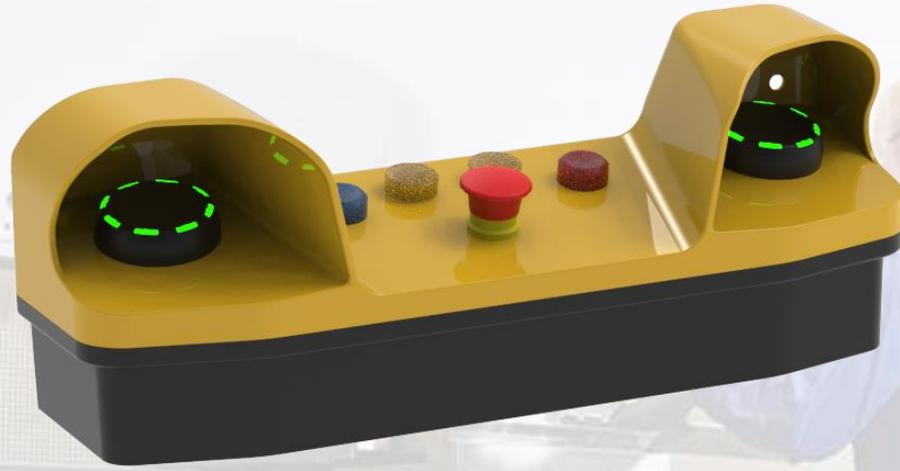




IDEM SAFETY

Making Industry Safer



IDEM Safety Switches

Two-Hand Control Training Document

What are two hand control switches?

Safety two hand control switches are used to safeguard the hands of an operator in industrial situations where machine operation may be hazardous. In order to operate the machine, both hands must be used. This means machinery will not start until both hands are confirmed to be in a safe position, and the operator at a safe distance.



Introduction to TouchSafe - Two-hand Control Stations

IDEM's TouchSafe Two-Hand Control panels are designed to provide reliable protection by ensuring the machine operators hands are located on the control station when the signal for machine operation is issued.

TouchSafe Two-hand Control stations are generally used for setting-up work, such as press applications. Other uses include single-stroke operations for feed and removal processes.

TouchSafe has been designed in accordance with ISO 13851.



Understanding the part numbers



240000

Two Hand Control – Housing Only



240001

Two Hand Control – Fitted with x 2
ZF Buttons (Zero Force)



240002

Two Hand Control – Fitted with x 2
MF Buttons (Mechanical Force)



240021

Two Hand Control Button Only –
Type ZF (Zero Force)



240022

Two Hand Control Button Only –
Type MF (Mechanical Force)

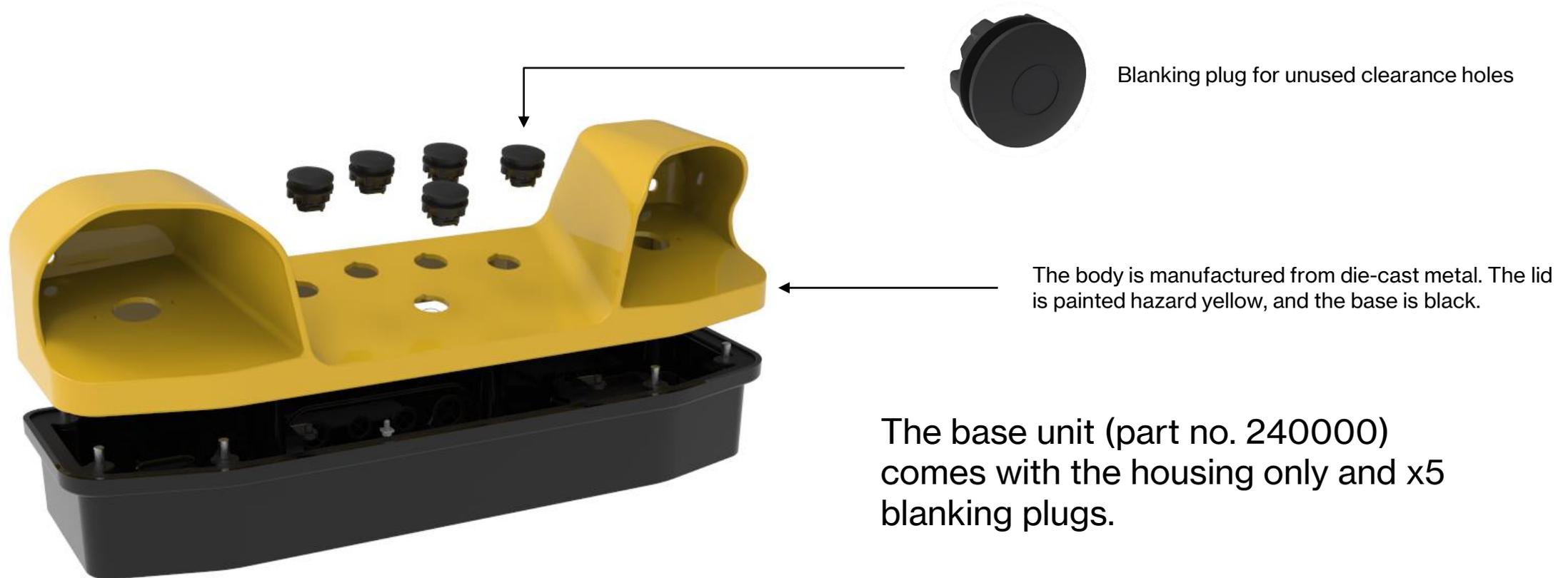


240050

Adjustable Two Hand Floor Mount
Stand

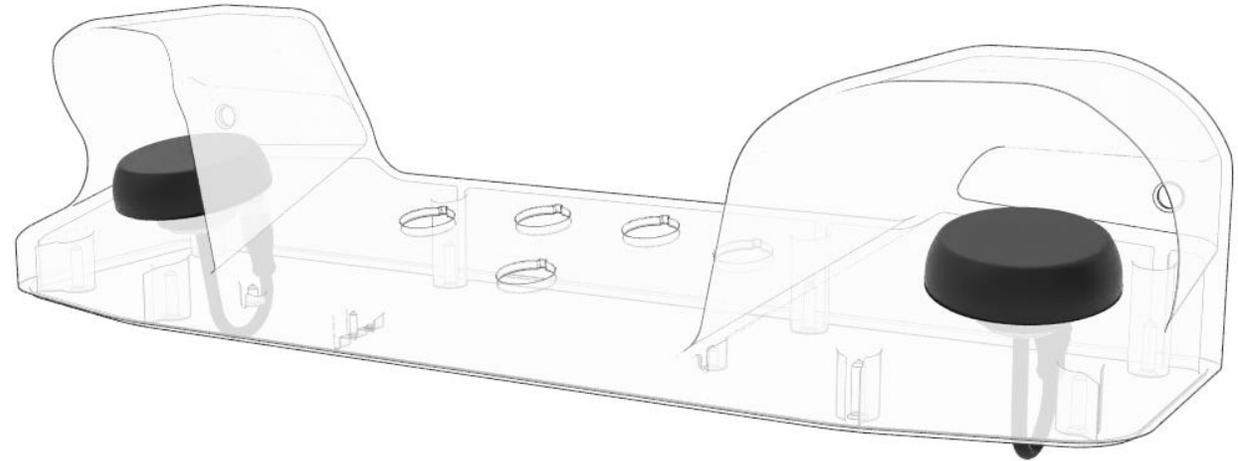
How to Configure your TouchSafe Two-Hand Control Station

TouchSafe is fully configurable – providing the operator with an ergonomic solution that is both easy to use and packed with functionality. The base unit comes with five dia' 22.5mm clearance holes for pilot devices. Unused slots comes with blanking plugs.



Choose your Button Type

TouchSafe is available with 2 button types that are simple to install via a M12 connector.



Zero Force (ZF)

- Ergonomic Design
- Dual Colour LED
- 100% replaceable with plug and play M12 connector.



Mechanical Force (MF)

- Industry Standard Design
- High Mechanical Life Cycle
- 100% replaceable with plug and play M12 connector.

Choose your Control Functions



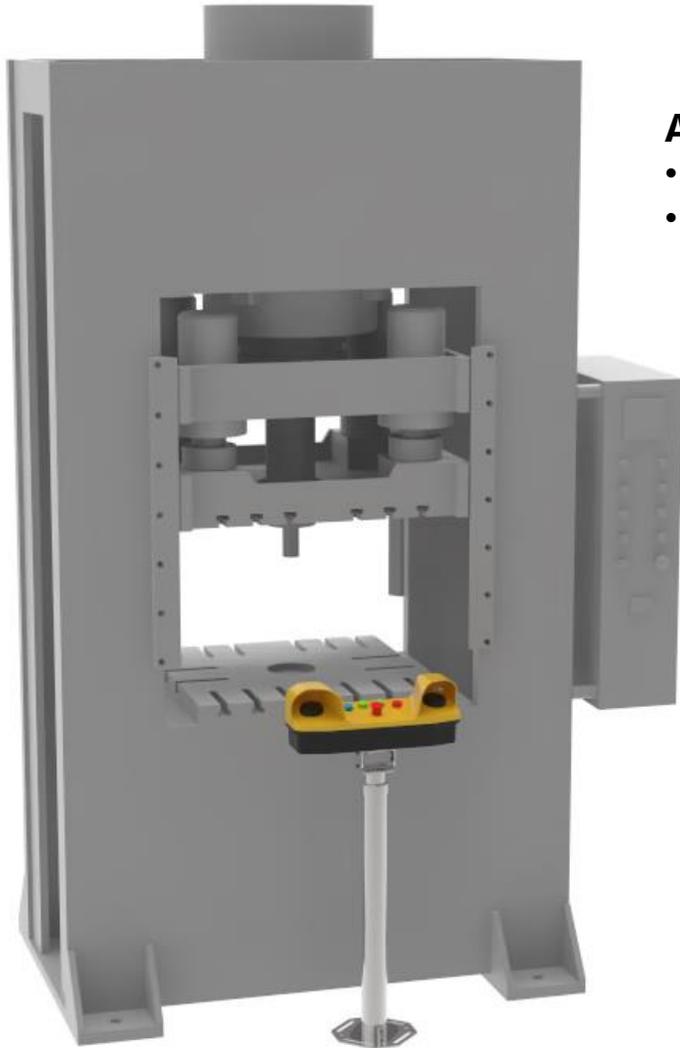
Every TouchSafe unit comes with five dia' 22.5mm clearance holes. IDEM offers a range of pilot devices suitable for use with TouchSafe. **Note:** These are installed by the end user.



Part Number	Part Description
522201	E-Stop 2NC 30mm Head
522202	E-Stop 1NC + 1NO 30mm Head
522203	E-Stop 2NC 30mm Head with Reset Key
522204	E-Stop 1NC + 1NO 30mm Head with Reset Key

Part Number	Part Description
522401	Pilot Device Illuminated Yellow +24V. ac/dc
522402	Pilot Device Illuminated Red +24V. ac/dc
522403	Pilot Device Illuminated Green +24V. ac/dc
522404	Pilot Device Illuminated Blue +24V. ac/dc

Simple to Install, Easy to Connect

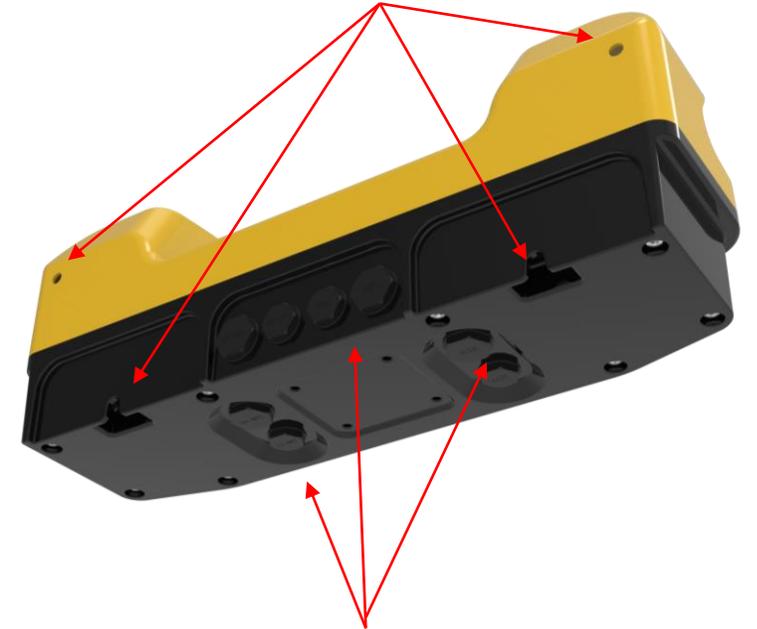


Adjustable Mounting Stand:

- Stainless Steel Construction
- 830mm to 1150mm Adjustable Height



External mounting points for fixing directly to the machine.



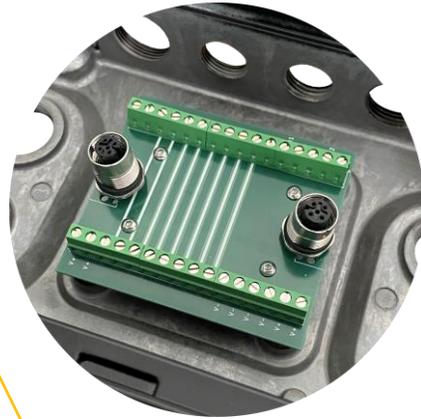
TouchSafe base units feature 8 conduit entries. These include two of each:

M20, 1/2" NPT, M25 and 3/4" NPT

What's inside?

Connection Plate

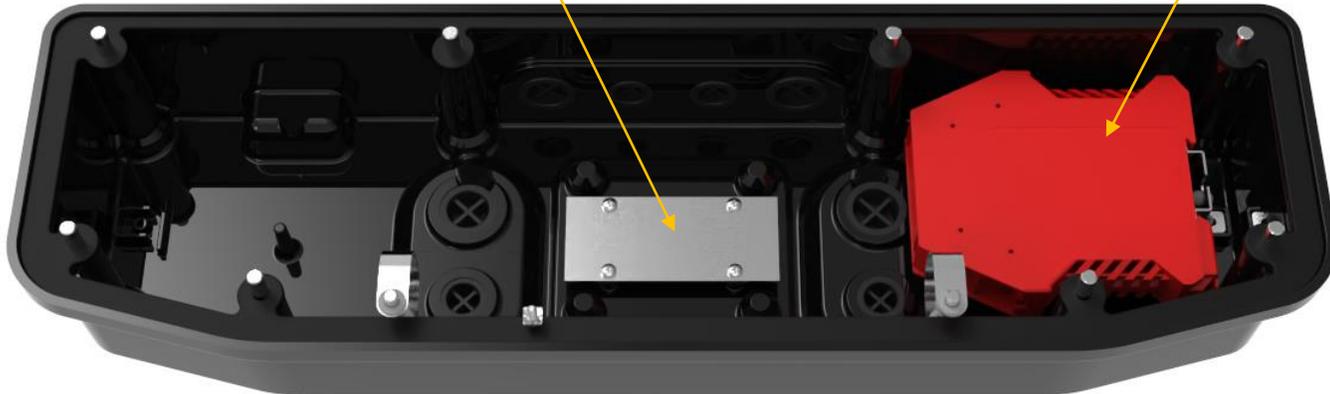
Features two M12 plugs for connecting your buttons and a pre-wired terminal block for external wiring.



SCR-2H Safety Relay

Can be used externally or installed internally for space saving.

Part Number	Part Description
180030	SCR-2H 24V Screw Terminals
180030-P	SCR-2H 24V Pluggable Terminals
180032	SCR-2H 110V Screw Terminals
180032-P	SCR-2H 110V Pluggable Terminals
180031	SCR-2H 230V Screw Terminals
180031-P	SCR-2H 230V Pluggable Terminals



Where Would you Find a Two Hand Control Switch?

Two hand safety modules are used in many applications. Some examples include preferred protection devices for use in setting-up work and single-stroke operations for feed and removal processes:



Can Manufacturing



Paper Manufacturing



Rubber Manufacturing



Plastic Manufacturing



Sheet Metal Processing



Automotive



Powder Metallurgy