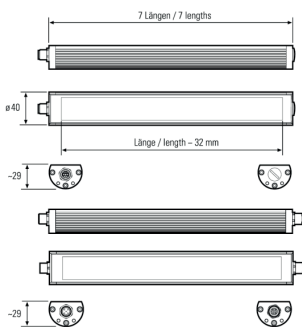
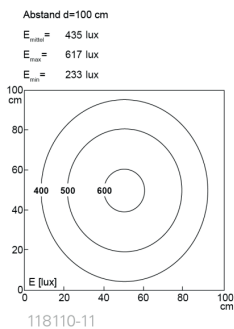
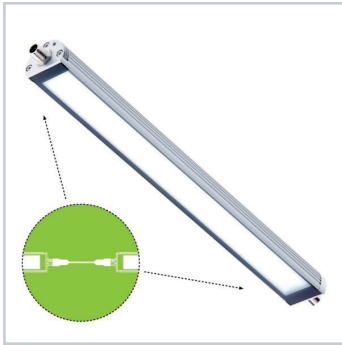


LED Maschinenleuchte

LED machine luminaire



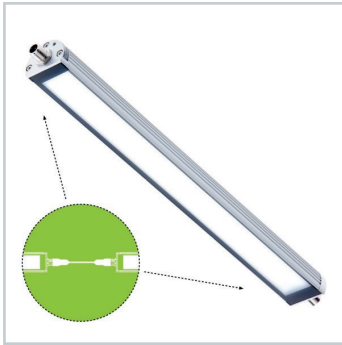
TUBELED_40 II Power, Länge 280 mm, kaskadierbar

| | |
|----------------------|---------------|
| Artikel-Nr.: | 118110-11 |
| EAN: | 4260556622705 |
| Zolltarifnr.: | 94054099 |

| | |
|-------------------------------|---------------------------------|
| Bestellnr.: | 118110-11 |
| Modell: | TUBELED_40 II |
| Bauform: | LED Aufbau Maschinenleuchte |
| Leuchtmittel: | SMD LED |
| Lampenleistung: | ~12 W |
| Lampenlichtstrom: | 1617 lm |
| Lampenlichtausbeute: | 131 lm/W |
| Lichtverteilung: | Light Forming Technology |
| Lichtfarbe: | Tageslichtweiß (5200 - 5700K) |
| Anschlusswert Leuchte: | 24V DC \pm 10% |
| Anschluss Leuchte: | M12 A-kodiert |
| Schutzart: | IP67/IP69K |
| Schutzklasse: | III |
| Entblendung: | Diffusor ESG |
| Abstrahlwinkel: | 100° |
| Betriebstemperatur: | -30... +60 °C |
| Farbwiedergabe (Ra): | > 85 |
| Lampenlebensdauer: | > 60.000 h |
| Material Gehäuse: | Aluminium |
| Material Abdeckung: | Sicherheitsglas, 4 mm |
| Höhe [B] x Breite [C]: | 29 mm x 40 mm |
| Länge [A]: | 280 mm |
| Gewicht: | 360 g |
| Bruttogewicht: | 550 g |
| Risikogruppe: | freie Gruppe |
| Kennzeichnung: | CE, ETL Listed |
| Befestigungszubehör: | optional |
| Dimmbar: | optional über Zubehör |
| Gefertigt in: | Deutschland |
| Besonderheit: | 100% CNC geeignet, kaskadierbar |

Elektrische Durchgangsverdrahtung (kaskadierbar) bis max. 8 A DC bei ta max. +30 °C (7 A DC bei ta max. +40 °C)
 Lampenlebensdauer in Betriebsstunden (L80/B10)

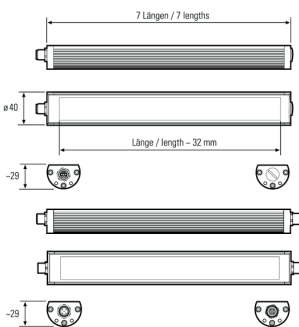
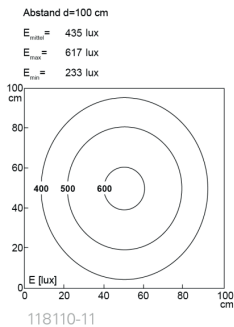
LED Maschinenleuchte
LED machine luminaire



TUBELED_40 II Power, 280 mm, cascadable

| | |
|------------------------|---------------|
| Item number: | 118110-11 |
| EAN: | 4260556622705 |
| Customs tariff number: | 94054099 |

| | |
|----------------------------|--|
| Order number: | 118110-11 |
| Model: | TUBELED_40 II |
| Type: | LED surface-mounted luminaire for machines |
| Illuminant: | SMD LED |
| Power consumption: | ~12 W |
| Lamp luminous flux: | 1617 lm |
| Lamp luminous efficiency: | 131 lm/W |
| Light distribution: | Light Forming Technology |
| Light colour: | daylight white (5200 - 5700K) |
| Connected load: | 24V DC \pm 10% |
| Connection (connector): | M12 A-type encoded |
| Degree of protection: | IP67/IP69K |
| Class of protection: | III |
| Glare-free | diffused safety glass |
| Beam angle (optics): | 100° |
| Operating temperature: | -30... +60 °C |
| Colour rendering (Ra): | > 85 |
| Lamps lifetime: | > 60,000 h |
| Housing material: | aluminium |
| Cover material: | safety glass, 4 mm |
| Height [B] x Width [C]: | 29 mm x 40 mm |
| Length [A]: | 280 mm |
| Weight (net): | 360 g |
| Gross weight: | 550 g |
| Risk group (DIN EN 62471): | free group |
| Marking: | CE, ETL Listed |
| Mounting accessories: | optional |
| Dimmable: | via optional accessory |
| Made in: | Germany |
| Feature: | 100% CNC approved, cascadable |



Several luminaires can be interlinked electrically. Electrical through-wiring (cascadable) up to max. 8 A DC at ta max. +30 °C (7 A DC at ta max. +40 °C)
Lamps lifetime in operation hours (L80/B10)