

LED Maschinenleuchte

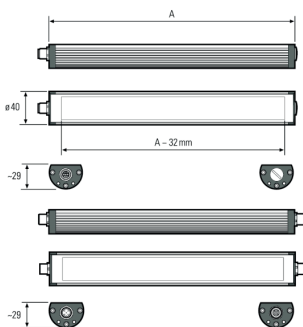
LED machine luminaire



TUBELED_40 Element DC, 1540 mm, 24V DC, kaskadierbar

| | |
|----------------------|---------------|
| Artikel-Nr.: | 119610-12 |
| EAN: | 4260556624419 |
| Zolltarifnr.: | 94054099 |

| | |
|-------------------------------|---------------------------------------|
| Bestellnr.: | 119610-12 |
| Modell: | TUBELED_40 Element |
| Bauform: | LED Aufbauleuchte |
| Leuchtmittel: | SMD LED |
| Lampenleistung: | ~38 W |
| Lampenlichtstrom: | 5670 lm |
| Lampenlichtausbeute: | 145 lm/W |
| Lichtverteilung: | direkt |
| Lichtfarbe: | Tageslichtweiß (5200 - 5700K) |
| Anschlusswert Leuchte: | 24V DC \pm 10% |
| Anschluss Leuchte: | M12 A-kodiert |
| Schutzart: | IP54 |
| Schutzklasse: | III |
| Entblendung: | Diffusor, PMMA |
| Abstrahlwinkel: | 100° |
| Betriebstemperatur: | -30... +70 °C |
| Farbwiedergabe (Ra): | > 85 |
| Lampenlebensdauer: | > 60.000 h |
| Material Gehäuse: | Aluminium, Endkappen Kunststoff |
| Material Abdeckung: | PMMA, gefrostet |
| Höhe [B] x Breite [C]: | 29 mm x 40 mm |
| Länge [A]: | 1540 mm |
| Gewicht: | 1840 g |
| Bruttogewicht: | 2400 g |
| Risikogruppe: | freie Gruppe |
| Kennzeichnung: | CE |
| Befestigungszubehör: | optional |
| Dimmbar: | optional über Zubehör |
| Gefertigt in: | Deutschland |
| Besonderheit: | kaskadierbar, hochtemperaturbeständig |



Elektrische Durchgangsverdrahtung (kaskadierbar) bis max. 8 A DC bei ta max. +30 °C (7 A DC bei ta max. +40 °C)
Lampenlebensdauer in Betriebsstunden (L80/B10)

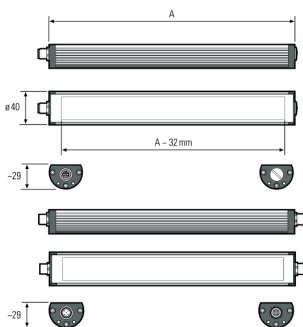
LED Maschinenleuchte
LED machine luminaire



TUBELED_40 Element DC, 1540 mm, 24V DC, cascable

| | |
|-------------------------------|---------------|
| Item number: | 119610-12 |
| EAN: | 4260556624419 |
| Customs tariff number: | 94054099 |

| | |
|-----------------------------------|--|
| Order number: | 119610-12 |
| Model: | TUBELED_40 Element |
| Type: | LED surface-mounted luminaire |
| Illuminant: | SMD LED |
| Power consumption: | ~38 W |
| Lamp luminous flux: | 5670 lm |
| Lamp luminous efficiency: | 145 lm/W |
| Light distribution: | direct |
| Light colour: | daylight white (5200 - 5700K) |
| Connected load: | 24V DC \pm 10% |
| Connection (connector): | M12 A-type encoded |
| Degree of protection: | IP54 |
| Class of protection: | III |
| Glare-free | diffuser sheet for scattered light, PMMA |
| Beam angle (optics): | 100° |
| Operating temperature: | -30... +70 °C |
| Colour rendering (Ra): | > 85 |
| Lamps lifetime: | > 60,000 h |
| Housing material: | aluminium, endcaps made of plastics |
| Cover material: | PMMA, frosted |
| Height [B] x Width [C]: | 29 mm x 40 mm |
| Length [A]: | 1540 mm |
| Weight (net): | 1840 g |
| Gross weight: | 2400 g |
| Risk group (DIN EN 62471): | free group |
| Marking: | CE |
| Mounting accessories: | optional |
| Dimmable: | via optional accessory |
| Made in: | Germany |
| Feature: | cascable, resistant to high temperatures |



Several luminaires can be interlinked electrically. Electrical through-wiring (cascable) up to max. 8 A DC at ta max. +30 °C (7 A DC at ta max. +40 °C)
Lamps lifetime in operation hours (L80/B10)