

PATLITE®

New Frontiers in Safety, Security and Comfort.

sensorMATIC
SPECIALIST&SOLUTIONS

Sensormatic srl - Via della Beverara 13 - 40131 Bologna - Italia
Tel. +39 051 6353 511 - Fax +39 051 6345 925 - www.sensormatic.it

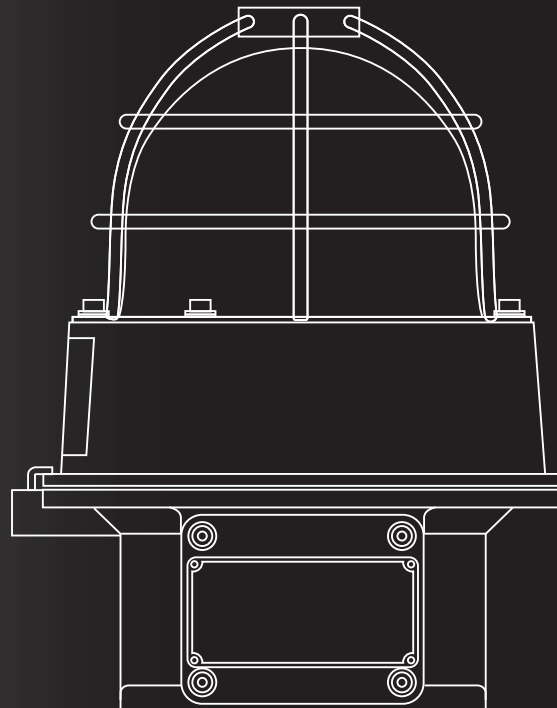
GENERAL CATALOG



www.patlite.com



Explosion-Safe Products



AR-070

CE II 3GD Ex nA IIC T4 Gc, Ex tc IIIC T85°C Dc IP65 94/9/EC (ATEX) CENELEC: EN 60079-0, EN 60079-15, EN 60079-31

Explosion-Safe Signal Tower



LED



FEATURES

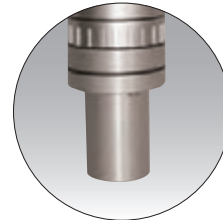
- Explosion-Safe for gas and dust
- Suitable for Zone 2 and Zone 22
- CE Compliance in accordance to ATEX
- Full and brilliant lumination
- LED double reflection lighting system
- Different lens colors available
- Stackable from 1 to 5 tiers
- Wall mount or direct mount
- Ingress protection of IP65 (IP54 with buzzer)
- Available with "flashing/ non-flashing" and two audible alarm sounds

85dB at 1m

IP65 (IP54 with Buzzer)

Explosion-Safe

Ø40



1/2" NPT

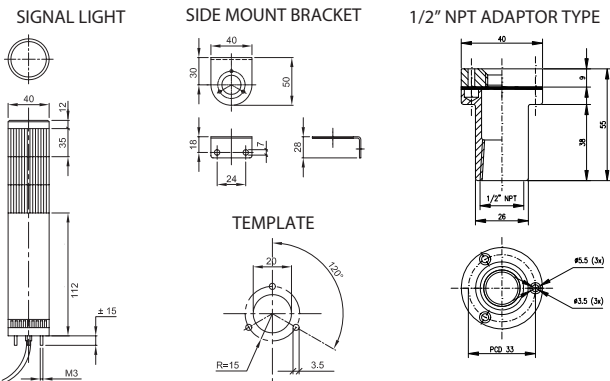
*1/2 NPT Adaptor also available



Side-mount Bracket

Explosion-Safe Signal Tower Ø40mm with sealed cable

Dimensions (Unit: mm)



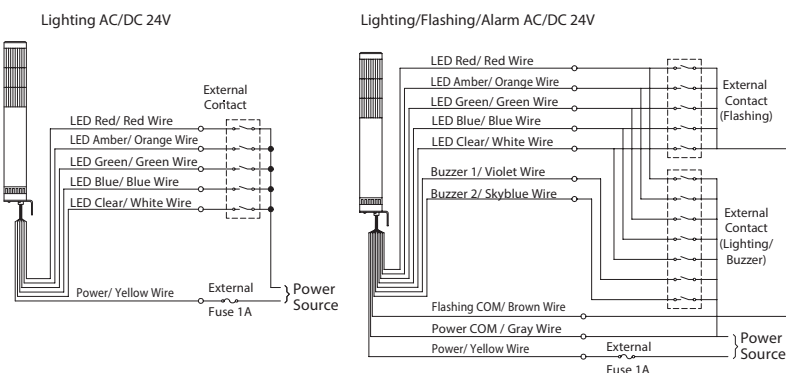
Specifications

Explosion-safety	CE Ex II 3GD; Ex nA IIC T4 Gc; Ex tc IIIC T85°C Dc IP65
CE Conformities	EN 60079-0, EN 60079-15, EN 60079-31
Certification	EC Declaration of Conformity
Ambient Temperature	-30°C - +60°C
Ingress Protection	IP65 to EN 60529
Material	ABS Tower Body
Lighting Source	Multiple LED's with Double Reflection System
Acoustical Source	Buzzer with two different tones: 85dB (at 1m)
Rated Voltage	AC/DC 24V
Assembly Position	As Desired
Activation Time	100%
Module Colors Available	Red, Amber, Green, Blue, Clear/White
Cable	Factory sealed cable, Ø8mm, length 3 meters

CURRENT RATINGS

LED		BUZZER	
Signal Line Current		Signal Line Current	Inrush Current
Red, Amber	Green, Blue, Clear	ab. 40mA	ab. 250mA
ab. 30mA	ab. 25mA		

Wiring



How to Order

AR-070-0 1 / -RYGBC

Model Code	LED Color
1 : Continuous Light	R: Red
2 : Flashing / Alarm	Y: Amber
	G: Green
	B: Blue
	C: Clear/White
	(From top to bottom)
Rated Voltage	Bracket Code
1: AC/DC 24V	Blank : L Type
	N : NPT Type
Tiers	
1: 1 Tier	
2: 2 Tiers	
3: 3 Tiers	
4: 4 Tiers	
5: 5 Tiers	

※ AC type available by special order.



AR-078

AR-078

CE II 3GD Ex nA IIC T4 Gc, Ex tc IIIC T85°C Dc IP65 94/9/EC (ATEX) CENELEC: EN 60079-0, EN 60079-15, EN 60079-31

Explosion-safe Signal Tower



Side-mount Bracket



3/4" NPT

*3/4 NPT Adaptor also available

FEATURES

- Explosion-Safe for gas and dust
- Suitable for Zone 2 and Zone 22
- CE Compliance in accordance to ATEX
- Full and brilliant lumination
- LED double reflection lighting system
- Different lens colors available
- Stackable from 1 to 5 tiers
- Wall mount or direct mount
- Ingress protection of IP65 (IP54 with buzzer)
- Available with "flashing/ non-flashing" and two audible alarm sounds



LED

90dB at 1m

IP65 (IP54 with Buzzer)

Explosion-Safe

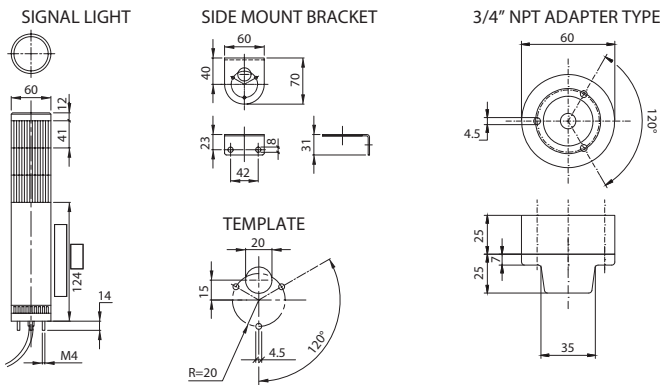
Ø60

Explosion-Safe Signal Tower ø60mm with sealed cable

Specifications

Explosion-safety	CE Ex II3 GD; Ex nA IIC T4 Gc; Ex tc IIIC T85°C Dc IP65
CE Conformities	EN 60079-0, EN 60079-15, EN 60079-31
Certification	EC Declaration of Conformity
Ambient Temperature	-30°C - +60°C
Ingress Protection	IP65 to EN 60529
Material	ABS Tower Body
Lighting Source	Multiple LED's with Double Reflection System
Acoustical Source	Buzzer with two different tones: 90dB (at 1m)
Rated Voltage	AC/DC 24V
Assembly Position	As Desired
Activation Time	100%
Module Colors Available	Red, Amber, Green, Blue, Clear/White
Cable	Factory sealed cable, ø8mm, length 3 meters

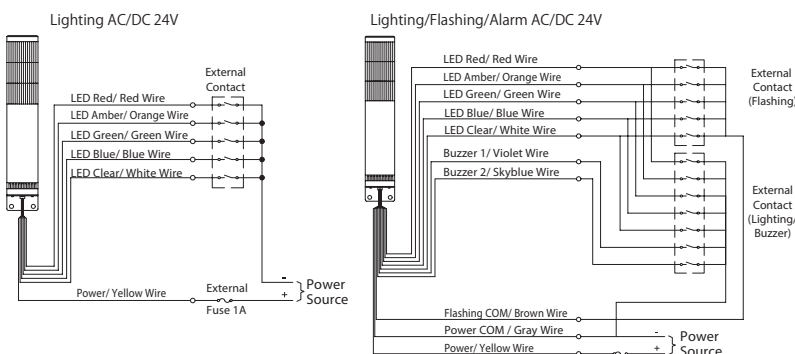
Dimensions (Unit: mm)



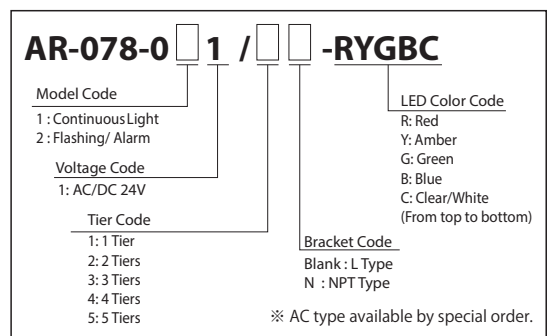
CURRENT RATINGS

LED		BUZZER	
Signal Line Current		Signal Line Current	Inrush Current
Red, Amber	Green, Blue, Clear	ab. 40mA	ab. 250mA
ab. 30mA	ab. 25mA		

Wiring



How to Order



LKEH-EX

CE II 3GD Ex nA IIC T4 Gc, Ex tc IIIB T85°C Dc IP54 94/9/EC (ATEX) CENELEC: EN 60079-0, EN 60079-15, EN 60079-31



LED



32 Channels (Binary)

63 Seconds

105dB at 1m

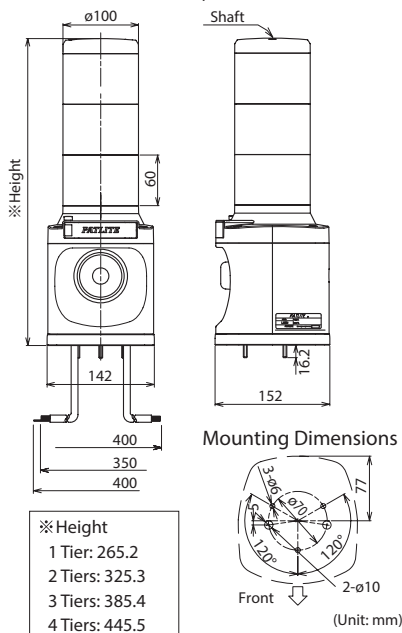
Explosion-Safe

FEATURES

- Explosion-Safe for gas and dust
- Suitable for Zone 2 and Zone 22
- CE Compliance in accordance to ATEX
- LED brightness is visible from a far distance with a big 100mm diameter module
- Super-bright LED colors corresponding to different voice, alarm, chimes and melody sounds.
- Voice alert messages of up to 63 seconds (64kbit/sec) with 5 channels for playback.
- 32 different melody, chime sound combinations are pre-recorded
- 8 sounds can be played back with bit input, or 32 sounds with binary input
- Stackable from 1 to 4 tiers
- Adjustable volume from 0 to 105dB (at 1m)
- MP3 model is field-programmable, using an SD Card for model LKEH-FV-EX
- Robust design able to withstand vibrations of up to 2G.
- Body is made of Acrylonitrile-Ethylene-Styrene for weather resistance
- One common wire can easily control both LED Units and audible signals
- NPN open-collector connection is standard, PNP is available upon request

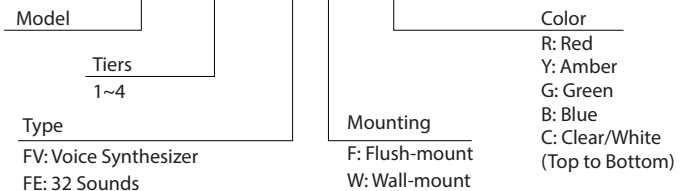
Dimensions (Unit: mm)

Model LKEH-FEW-EX, LKEH-FVW-EX



How to Order

LKEH-302FVF-RYG-EX



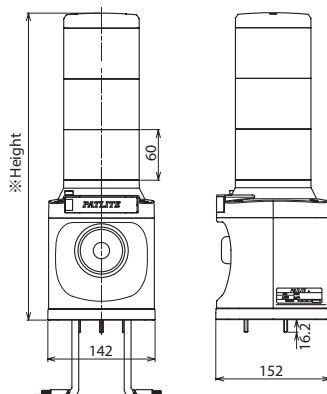
Model	MP3	Power
LKEH-FEF-EX/LKEH-FEW-EX	—	14.2W
LKEH-FVF-EX/LKEH-FVW-EX	Supports	14.2W

SD Card (SDV-128) for models LKEH-FVF-EX and LKEH-FVW-EX is sold separately.

Sound Selection Chart

Beep (slow intermittent)	Stutter + Bell	Inverted Reveille	Annie Laurie
Stutter (rapid intermittent)	Melody Chime	Galactic Motor	London Bridge is falling down
Bell (clear high-pitch)	Chime	Ringing Phone	Mary had a little Lamb
Yelp (rapid siren)	Call Sign	Two Tone	Camptown Races
Rapid Hi-Lo	Train Ride	Alarm Clock	Amaryllis
Melody Chime	Galloping Hi-Lo	Ringling Hi-Lo	Mozart Symphony No. 40
Synthesized Piano	Alien Chatter	Fur Elise	Ave Maria
Synthesized Bell	Falling Crystals	Bach Minuet in Gmaj	Grandfather's Clock

Model LKEH-FEF-EX, LKEH-FVF-EX



Specifications

Model	Rated Voltage	MP3, Melody	Operating Temperature Range	Recordable Duration	Mounting Brackets	Channels	Mass
LKEH-FEF-EX	DC 24V	Type-E	-10°C to +50°C 85% RH or less	Pre-recorded	Flush-mount	8ch bit input, 32ch binary input	2.8kg
LKEH-FEW-EX		Type-E			Wall-mount	8ch bit input, 32ch binary input	3.2kg
LKEH-FVF-EX		MPEG1-Audio Layer III, 64kbit/s		63 seconds	Flush-mount	5ch bit input, 32ch binary input	2.8kg
LKEH-FVW-EX		MPEG1-Audio Layer III, 64kbit/s			Wall-mount	5ch bit input, 32ch binary input	3.2kg

• The mass is based on a 3-tiered LED Model LKEH. The mass will change in accordance to the number of tiers.



EHS-EX/EHV-EX

CE II 3GD Ex nA IIC T4 Gc, Ex tc IIIC T85°C Dc IP65 94/9/EC (ATEX) CENELEC: EN 60079-0, EN 60079-15, EN 60079-31

Explosion-Safe Melody/Alarm Horn



EHV 63 Channels (Binary)

110 dB at 1m (EHS)

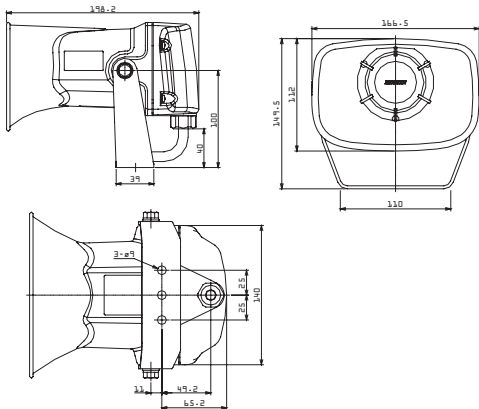
IP65

Explosion-Safe

FEATURES

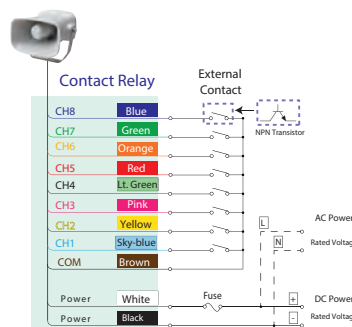
- Protection Rating of IP65.
- Explosion-Safe for gas and dust
- Suitable for Zone 2 and Zone 22
- CE Compliance in accordance to ATEX
- EHS-EX comes with 32 preloaded melody and alarm sounds with adjustable volume up to 110dB (at 1m).
- Robust, indoor and outdoor use with vibration resistance up to 4.5G.
- EHV-EX comes with 63 preloaded crisp and clear melody and alarm sounds with adjustable volume up to 110dB (at 1m).
- EHV-EX offers a field-programmable MP3 function with a maximum of 220 sec. of recording time (at 64bps) and an adjustable volume up to 105dB (at 1m).
- Ideal for plant-wide notification, public address and process control.
- UL464, CSA-C22.2 NO.205-M1983, FCC Part 15 Subpart B Class 4.
- CE, RoHS Compliant (EHS-M1 and EHV-M1 Only).

Dimensions (Unit: mm)

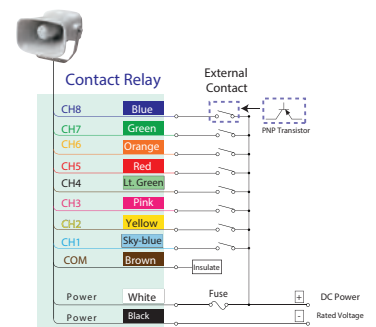


Wiring

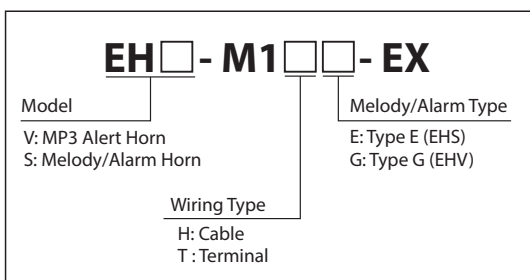
Non-voltage (NPN) Wiring



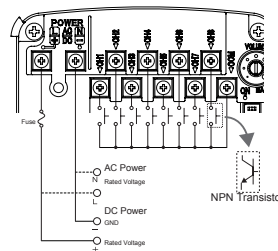
PNP Wiring



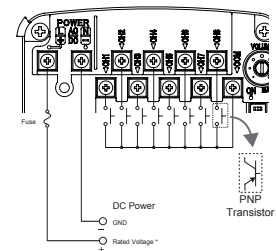
How to Order



Terminal (NPN)



Terminal (PNP)



Specifications

Model	Rated Voltage	Voltage Range	Power Consumption	Rated Current Consumption	Sound Pressure (max)	Operating Temperature Range	No. of Playback Messages	Protection Rating	Wiring Type	Mass
EHS-M1H-EX	DC 12 - 24V	DC 10.8V to 26.4V	4W (at DC24V)	450mA (max)	Alarm: 110dB (at 1m)	-20°C to +50°C (Less than 85% RH)	Bit Input: 8 Binary Input: 32	IP65	Cable	1.25kg
EHS-M1T-EX									Terminal	
EHV-M1H-EX	DC 12 - 24V	DC 10.8V to 26.4V	4W (at DC24V)	400mA (max)	Alarm: 110dB (at 1m) MP3: 105dB (at 1m)	-20°C to +50°C (Less than 85% RH)	Bit Input: 8 Binary Input: 63	IP65	Cable	1.25kg
EHV-M1T-EX									Terminal	

Note 1: The sound pressure level is based on measurements under controlled conditions (voice-synthesized 1 kHz sine wave played back from a distance of 1 meter), therefore the surrounding environmental conditions and message content will result in different values for the sound pressure level.

Note 2: Even when starting two or more units simultaneously, a lag will occur during message playback.

EHS-EX/EHV-EX

CLN-EX

CE II 3GD Ex nA IIC T4 Gc, Ex tc IIIC T135°C Dc IP65 94/9/EC (ATEX) CENELEC: EN 60079-0, EN 60079-15, EN 60079-31

Explosion-Safe LED Work Light



Daylight

IP66G/67G/69K

Explosion-Safe

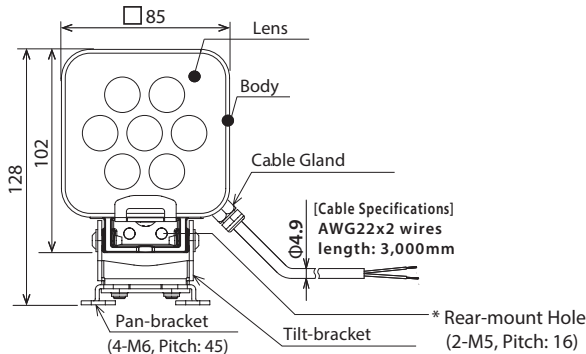
FEATURES

- 820 lx brightness
- 60,000 hrs., or about 7 years of long service life (*1)
- IP66G, IP67G, IP69K protection (*2)
- Low current draw of 174mA
- DC 24V (Polarized)
- Wide operating temperature range (-40 to +60°C)
- IEC62471 Compliance (Photobiological Safety Standard)
- Daylight Color Temperature (6,500K), suitable for very detailed work
- Made of aluminum alloy and tempered glass, is resistant to water, oil and coolants
- Includes a flexible stainless-steel angle bracket to adapt to various scenarios (*3)
- Compact, light-weight, durable design (Thickness:22.2mm x Width: 85mm x Height: 128mm)

*1 : The typical value of LED brightness is 70% of the original specification, but may vary depending on actual applications.
 *2 : IP66G and IP67G are Japanese Industrial Standards (JIS C0920-2003), and IP69K is the German DIN 40050 PART9 Standard.
 *3 : CLN-24-CD-PT-EX Work Light can only be installed where risk of mechanical danger is limited to 2 Joules of impact energy.

Dimensions (Unit: mm)

• Pan/Tilt Type (PT Type)



How to Order

CLN-24-CD-PT-EX

Movable Type

PT : Pan/Tilt

Specifications

Model	CLN-24-CD-PT-EX
Color Code (Color)	CD (Daylight)
Color Temperature (typ.)	6500K
Illumination (typ.) (Centered at DC 24V)	820 lx
Total Luminous Flux (typ.)	550 lm
Rated Voltage	DC 24V (Polarized)
Operating Voltage Range	DC 24V ±10%
Rated Consumption Current/Power Dissipation	174mA ±10% / 4.2W
Operating Ambient Temperature	-40°C to +60°C (90% RH, no condensation)
Main Unit Material	Body: Aluminum Alloy Lens: Tempered Glass
Protection Rating	IP66G/67G (JIS C 0920)/69K (DIN 40050 part 9) (excluding cable ends)
Mounting Location/Direction	Indoor / Any Direction
Insulation Resistance	DC 500V 5MΩ or more between power input and metallic part
Withstand Voltage	500VAC for 1 minute between power input and chassis
Vibration Resistance	30Hz total amplitude 0.3mm ^{P-P} (Back and forth, up and down, left and right for 2 hrs each) total amplitude 0.3mm ^{P-P} (10-57Hz), Acceleration 19.6m/s ²
Mass (Tolerance ±10%)	430g

CLN-EX

CLK-EX

CE II 3GD Ex nA IIC T4 Gc, Ex tc IIIC T135°C Dc IP65 94/9/EC (ATEX) CENELEC: EN 60079-0, EN 60079-15, EN 60079-31

Explosion-Safe LED Work Light



CLK6C-24AG-CD-EX

CLK3S-24AG-CD-EX

Daylight
Natural White

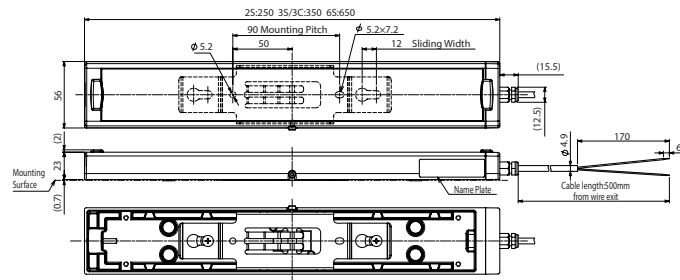
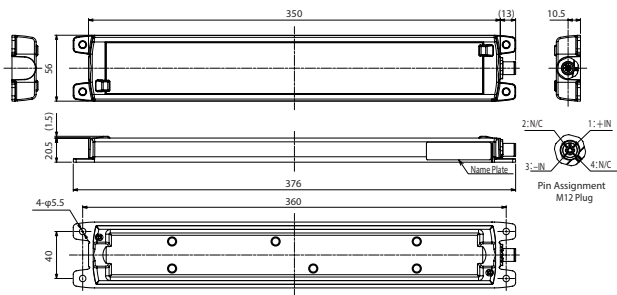
IP66G/67G/69K

Explosion-Safe

FEATURES

- Aluminum Housing
- Tempered glass lens
- IP66G/67G/69K ratings
- Explosion-safe for gas and dust
- Suitable for Zone 2 and Zone 22
- Temperature Range of -40°C to +60°C
- CE Compliance in accordance to ATEX
- 1,200 lx (3S/3C) and 2,100 lx (6S) brightness
- Outdoor installation allows Upright installation only
- LED Color Temperatures of 6,500K (CD) and 5,000K (CN)
- Stainless Steel Housing (available for 350mm long models)
- 250mm length (2S, 350mm length (3S/3C), 650mm length (6S) available

Dimensions (Unit: mm)



How to Order

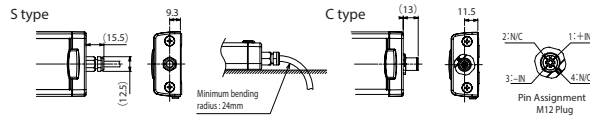
CLK-□□-24-□□-□-EX

Illumination Area Size
2: 200mm 3: 300mm 6: 600mm

Color
CD: Daylight
CN: Natural White

Wiring Specifications
S: Side-exiting Cable C: M12 Quick Disconnect

Body & Lens
AG: Aluminum & Glass
SG: Stainless Steel & Glass



Specifications

Model	CLK-□□-24-□□-□-EX
Color Code (Color)	Natural White (CN) / Daylight (CD)
Rated Voltage	DC 24V
Operating Voltage Range	DC 24V ±10%
Rated Consumption Current	522mA ±40mA (3S / 3C Type)
Light Source	High intensity LED x 18 elements (3S / 3C Type)
Luminous Intensity at Optical Center (lx at 1m)	1200 (3S / 3C Type)
Main Unit Material	Body: Aluminum Alloy or Stainless Steel Lens: Tempered Glass
Operating Temperature Range	-40°C to +60°C (90% RH, no condensation)
Mounting Location/Direction	Indoor / Any Direction
Protection Rating	IP66G/67G (JIS C 0920)/69K (DIN 40050 part 9) (excluding cable ends)
Vibration Resistance	19.6m/s ²
Mass (Tolerance ±10%)	1.49kg

*1 : The LED Work Light can only be installed in places where risk of mechanical danger is limited to an impact energy of 2 Joules. (1kg mass dropped at a 20cm height)

CLK-EX

CLA-EX

CE II 3GD Ex nA IIC T4 Gc, Ex tc IIIC T135°C Dc IP65 94/9/EC (ATEX) CENELEC: EN 60079-0, EN 60079-15, EN 60079-31

Explosion-Safe LED Work Light



Daylight
Natural White



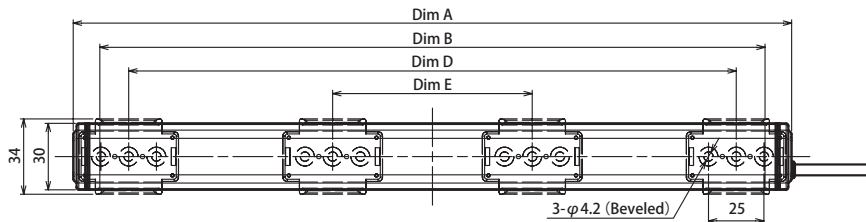
IP66/67/69K

Explosion-Safe

FEATURES

- Explosion-safe for gas and dust
- Suitable for Zone 2 and Zone 22
- CE Compliance in accordance to ATEX
- DC 24V (Polarized, ±10%)
- Cable length: 3 meters
- IP66/67/69K ratings
- Body made of Polycarbonate Resin
- Polycarbonate mounting brackets available
- Lengths available are; 100mm (140 lx), 200mm (270 lx), 300mm (400 lx), 600mm (650 lx), 900mm (810 lx), 1,200mm (890 lx), 1,500mm (945 lx)
- Temperature Range of -40°C to +60°C (RH 90% or less, no condensation)

Dimensions (Unit: mm)



Model Name	Dim A Total Length	Dim B Lighting Area	Dim D Mounting Pitch	Dim E	Standard Bracket SZ-310AR
CLA1S	124	100	74	—	2 pcs.
CLA2S	224	200	174	—	
CLA3S	324	300	274	—	
CLA6S	624	600	574	—	4 pcs.
CLA9S	924	900	874	290	
CLA12S	1,224	1,200	1,174	390	

How to Order

CLA S-24- -30-EX

LED Color

CD: Daylight (6800K)

CN: Natural White (4800K)

Length (L)

- 1: 100mm 6: 600mm
- 2: 200mm 9: 900mm
- 3: 300mm 12: 1,200mm

Specifications

Model	Luminous Color	Length	Rated Voltage	Rated Current Consumption	Center Radiation (lx/50cm)	Mounting Direction	Vibration Resistance	Mass		
CLA1S -24-CD-30-EX	Daylight	100mm	DC 24V (Polarized)	104mA	140 lx	Any Direction (Indoors Only)	19.6m/s ²	80g		
CLA2S -24-CD-30-EX	Daylight	200mm		208mA	270 lx			130g		
CLA3S -24-CD-30-EX	Daylight	300mm		240mA	400 lx			180g		
CLA3S -24-CN-30-EX	Natural White			480mA	650 lx			340g		
CLA6S -24-CD-30-EX	Daylight	600mm		720mA	810 lx			500g		
CLA6S -24-CN-30-EX	Natural White			960mA	890 lx			660g		
CLA9S -24-CD-30-EX	Daylight	900mm								
CLA12S -24-CD-30-EX	Daylight	1200mm								