

PATLITE®

New Frontiers in Safety, Security and Comfort.

sensormatic
SPECIALIST&SOLUTIONS

Sensormatic srl - Via della Beverara 13 - 40131 Bologna - Italia
Tel. +39 051 6353 511 - Fax +39 051 6345 925 - www.sensormatic.it

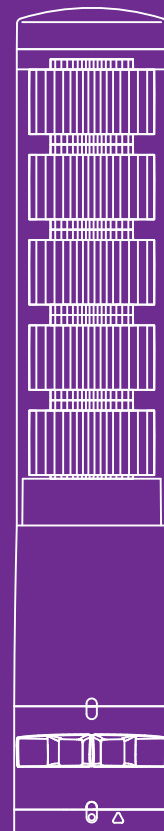
GENERAL CATALOG



www.patlite.com



New Products



CWK

LED Light Bar



Daylight



IP66G/67G

3meter Cable

Water and Oil resistant high-power LED Work Light with a wider illumination span.

- Made of aluminum alloy and tempered glass which is resistant to water and tooling oils.
- Special design disperses light for a wider and brighter illumination in the work space.
- The illuminance corresponds to EN1873 for safer exposure to eyes when working in the illuminated area.
- The product lineup includes a mounting bracket and two bracket options (swivel or panel mount) to adapt to various scenarios.
- Conforms to CE and RoHS requirements.
- UL Listed (File No. E306141).



The body is protected by the tempered glass which disperses the flying scrap.



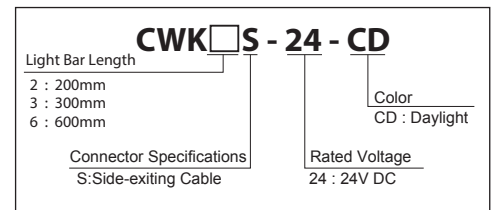
It has passed the oil resistant test from common cutting oils.

[Accelerated aging test with diluted oil at 55°C for 240 hours (10 days) sprayed onto the test object]

Specifications

Model	CWK2S-24	CWK3S-24	CWK6S-24
Luminous Color	Daylight		
Color Temperature (typ.)	6500K		
Illuminance (typ.) (at DC24V) 1.0m	600 lx	850 lx	1500 lx
Total Luminous Flux (typ.)	800 lm	1200 lm	2400 lm
Operating Voltage Range	24VDC ±10%		
Rated Current Consumption	360mA ±10%	480mA ±10%	960mA ±10%
Rated Power Consumption	8.6W	11.5W	23.0W
Operating Ambient Temperature	-10°C - +50°C		
Operating Ambient Humidity	90% RH or less, no condensation		
Main Unit Material	Body: Aluminum Alloy; Lens: Tempered Glass		
Cable Length	3 meters		
Mounting Location	Indoors		
Protection Rating	IP66G/ IP67G (JIS C0920)		
Insulation Resistance	500V DC 5MΩ or more		
Withstand Voltage	500VAC for 1 minute (Between terminals and chassis)		
Vibration Resistance	30Hz 20m/s ²		
Mass (Tolerance ±10%)	600g	750g	1230g

How to Order



Dimensions (Unit: mm)

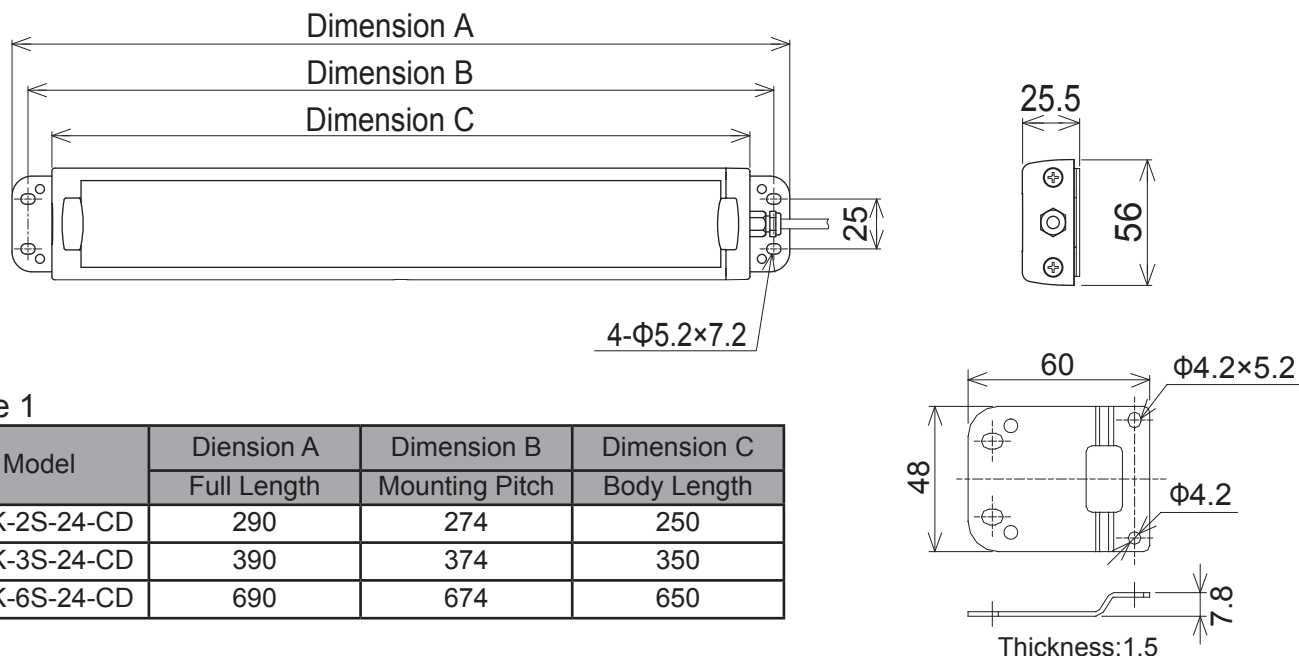
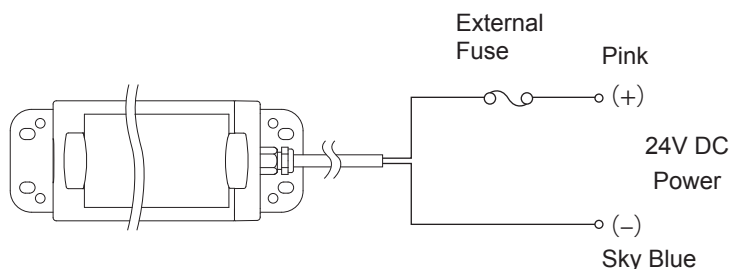


Table 1

Model	Diension A	Dimension B	Dimension C
	Full Length	Mounting Pitch	Body Length
CWK-2S-24-CD	290	274	250
CWK-3S-24-CD	390	374	350
CWK-6S-24-CD	690	674	650

Wiring



[Enforced]

There is no protection rating for the area surrounding the tip of the cable.

To ensure insulation of water intrusion, the use of fillers (such as silicon, etc.) to plug up the tip part is recommended.

Oil Exam

It has passed the oil resistant test from the following common cutting oils.

Company	Oil Type
Hangsterfer's	Hangsterfer's S-500
Yushiro Chemical Industry Co., Ltd.	Yushiroken Synthetic #663
Castrol	Syntilo 9954
BlaserSwisslube Inc.	Blasocut BC35LFSW

Confirmation in result of swelling, contraction, dissolution, exfoliation, separation, cracks, and discoloration by the accelerated impregnation examination with the oil types indicated in the table on the left for diluted oil at 55°C for 240 hours (ten days) was made.

Due to the additive agents in oil, the application of oils other than the ones mentioned may influence physical properties, therefore, please inquire in advance.

* The mentioned company names, product names, trademarks, etc. are the registered trademarks or trademarks in Japan for each company, and/or other countries.

Standard Accessory

These brackets are included.

Mounting Brackets



Options

The following brackets can be used to fit various mounting applications.

Angle-adjustment Brackets

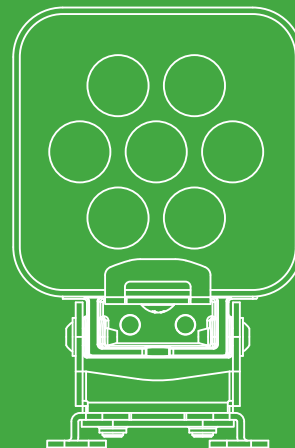


Surface-mount Brackets





LED Lights



CLA

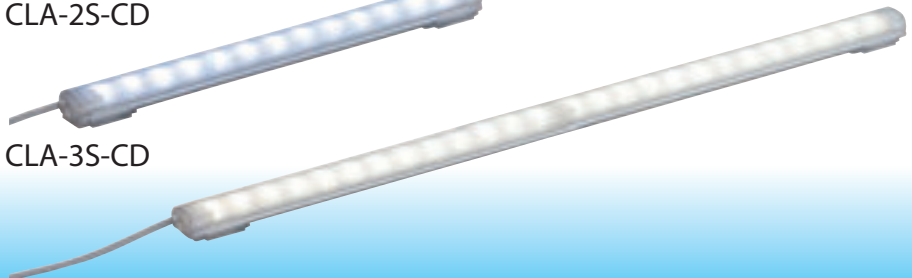
LED Light Bar



CLA-2S-CD



CLA-3S-CD



CLA-6S-CN

Daylight, Amber
Natural White



IP66/67/69K

More than a diffusion LED light bar, it can be used in places like the food-processing industry with its protection rating of "IP69K", which can endure high-pressurized hot water washing.

- Bright, long lasting LED's.
- Suitable for food, beverage and pharmaceutical applications where high-pressure, 80°C high-temperature wash-downs are required. Also meets IP66/67 standards.
- The radiating temperature is reduced to 40 degrees or less (34% reduction in comparison to a 20W fluorescent light), increasing environmental efficiency.
- Six lengths in the range from 100 to 1200mm to choose from, with three colors (Daylight, Natural White, Amber), and four types of attachments, including a magnet one, offering a potential for various applications.
- The operating temperature range from -40°C to +60°C allows installation in sub-freezing temperatures, such as walk-in freezers.
- It is constructed with strong polycarbonate resin, which is resistant to shock.
- Corresponds to Europe's RoHS Directive.
- Obtained certification for ECOLAB.
- Conforms to CE requirements.
- UL Listed (File No. E306141).

Luminous Color

With a high-intensity lumination, its suitable for applications such as lighting processing machinery workspace, for lighting up a video inspection system to light up more details, etc.



A 6800K daylightlight light bar at a distance of 50 cm from the center of irradiation has measured a maximum brightness of 400lx.

How to Order

CLA <input type="checkbox"/> S-24- <input type="checkbox"/> - <input type="checkbox"/>	
Model	Cable Length
Light Bar Length	Blank : 0.5m 30 : 3.0m
1 : 100mm	Luminous Color
2 : 200mm	-CD (Daylight)
3 : 300mm*	-CN* (Natural White)
6 : 600mm	-Y* (Amber)
9 : 900mm	
12 : 1,200mm	
* -Y is only available in 300mm lengths	
* -CN is only available in 600 and 900mm lengths.	



CLA-CN (Natural White: 4800K)

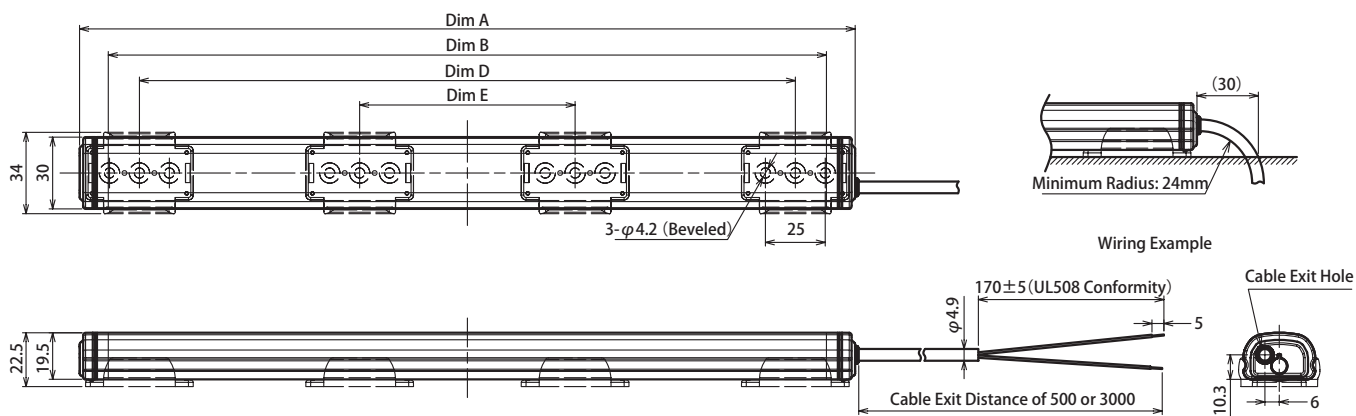


CLA-CD (Daylight: 6800K)

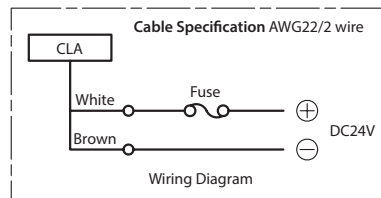


CLA-Y (Amber)

Dimensions (Unit: mm)



Model Name	Dim A	Dim B	Dim D	Dim E	Standard Bracket SZ-310AR
	Total Length	Lighting Area	Mounting Pitch	Mounting Pitch	
CLA1S	124	100	74	—	2 pcs.
CLA2S	224	200	174	—	
CLA3S	324	300	274	—	
CLA6S	624	600	574	—	
CLA9S	924	900	874	290	4 pcs.
CLA12S	1,224	1,200	1,174	390	



Options



Standard

Rear Attachment
(Screw Mount)
Model SZ-310AR



Option

Rear Attachment
(Magnetic Mount)
Model SZ-310ARM



Option

Side Attachment
(Screw Mount)
Model SZ-310AS



Option

Side Attachment
(CLB-24N Compatible)
Model SZ-310ASB

Specifications

Model	Luminous Color	Rated Voltage	Vibration Resistance	Operating Temperature Range	Rated Current Consumption	Center Radiation (lx/50cm)	Main Body Material	Protection Rating	Mass
CLA1S -24 -CD	Daylight	DC 24V (Polarized)	19.6 m/s ²	-40°C - +60°C (RH 90% or less)	104mA	140	Polycarbonate	IP66/67/69K	80g
CLA2S -24 -CD	Daylight				208mA	270			130g
CLA3S -24 -CD	Daylight				240mA	400			180g
CLA3S -24 -CN	Natural White					220			
CLA3S -24 -Y	Amber				480mA	650			340g
CLA6S -24 -CD	Daylight					720mA			
CLA6S -24 -CN	Natural White				960mA				890
CLA9S -24 -CD	Daylight					960mA			890
CLA12S -24 -CD	Daylight								

CLK

LED Light Bar



(M12 type is UL Recognized)
(SG/SA type has no UL certifications)



Daylight
Natural White

IP66G/67G/69K

M-12 Daisylink

(Cable not included)

Water, Oil and Chemical Resistant LED Light Bar with an Illuminance of 2,100lx. (Measurement based on CLK6S-24AG-CD)

FEATURE

- Attained the IP69K standard for the meat/food processing, beverages and medicine manufacturing industries which demands the waterproofing performance. It also corresponds to IP66G/67G standards.
- Special design to reduce "Blinding Light" effect, reducing the risk of retinal damage (EN62471-2 for Photobiological Safety of Lamps and Lamp Systems).
- The product lineup includes three sizes (200mm, 300mm, 600mm), two colors (Daylight, Natural White), and different series (Side-exit Cable; M12 Quick-disconnect; Aluminum Alloy and Stainless Steel Body) for various applications.
- The operating temperature range from -40°C to +60°C allows installation in sub-freezing temperatures, such as walk-in freezers.
- Slim Profile
- Corresponds to Europe's RoHS Directive.
- Conforms to CE requirements.
- UL Listed (File No. E306141, M12 type is UL Recognized, SG/SA type is not UL certified).
- Passed IEC 62471

Specifications

Specifications/Material	Water and Oil Resistance/Aluminum Alloy						Water and Chemical Resistance/ SUS316 Stainless Steel		
Lens Material	Tempered Glass						Specially-treated Lens \diamond		
Model	2S-AG	3S-AG	6S-AG	3C-AG	3CL-AG	6C-AG	6CL-AG	3C-SG	3C-SA
Lens Size	200mm	300mm	600mm	300mm		600mm		300mm	
LED Color	Daylight: 6,500K: CD								
	●	●	●	●	●	●	●	●	—
	Natural White: 5,000K: CN								
	△	●	△	●	●	●	—	—	●
Center Illumination (@1m)	820lx	1,200lx	2,100lx	1,200lx		2,100lx		1,200lx	
Connection Type	Side-exiting Cable, L=0.5m			M12 Quick Disconnect	M12 Daisy Link	M12 Quick Disconnect	M12 Daisy Link	M12 Quick Disconnect	
Power Consumption	8.4W	12.5W	25W	12.5W		25W		12.5W	
Rated Voltage	DC24V (Polarized)								
Operating Temperature Range	-40°C - +60°C (RH 90% or less)								
Protection Rating	IP 66G/67G (IEC 60529)/IP69K (DIN 40050 Part 9)								

△ : Inquire before Ordering

◇: Specially-treated lens has three layers embedded; PMMA, Shatter-proof Film, Tempered Glass

How to Order

Model Code

Model **CLK** -24 -

LED Color
CD: Daylight, CN: Natural White

Wiring Method
S: Side-exiting Cable C: M12 Cable CL: M12 Daisy Link

Body Material AG: Aluminum & Glass
SG: Stainless Steel & Glass
SA: Stainless Steel & Special Lens

Illumination Area Size
2: 200mm 3: 300mm 6: 600mm

Oil Exam

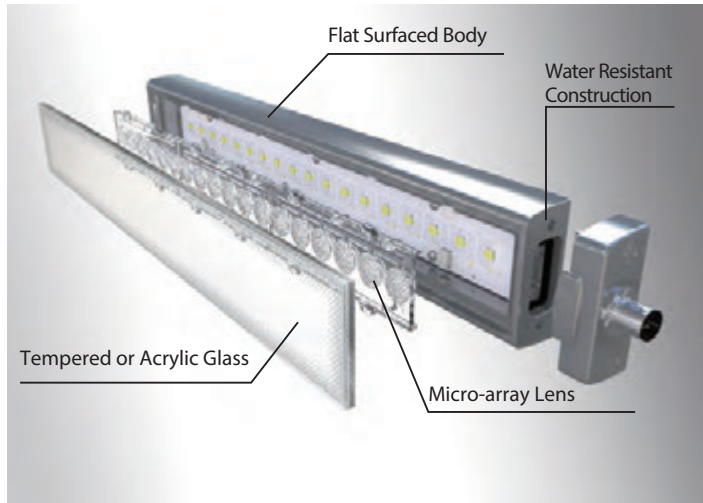
It has passed the oil resistant test from the following common cutting oils.

Company	Oil Type
Hangsterfer's	Hangsterfer's S-500
Yushiro Chemical Industry Co., Ltd.	Yushiroken Synthetic #663
Castrol	Syntilo 9954
BlaserSwisslube Inc.	Blasocut BC35LFSW

Confirmation in result of swelling, contraction, dissolution, exfoliation, separation, cracks, and discoloration by the accelerated impregnation examination with the oil types indicated in the table on the left for diluted oil at 55°C for 240 hours (ten days) was made.

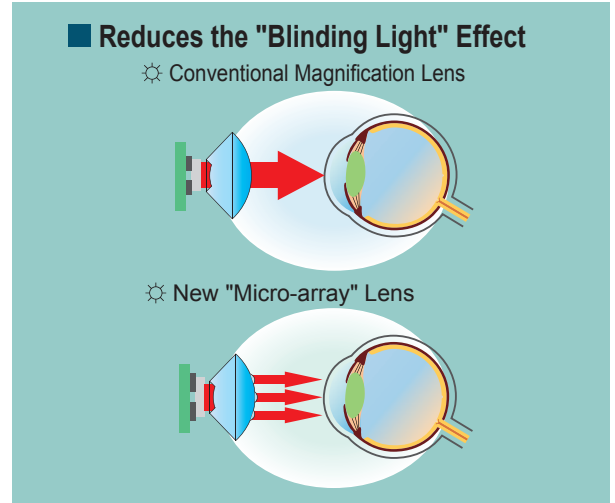
Due to the additive agents in oil, the application of oils other than the ones mentioned may influence physical properties, therefore, please inquire in advance.

* The mentioned company names, product names, trademarks, etc. are the registered trademarks or trademarks in Japan for each company, and/or other countries.



Angled Body and Flat Surface

The side body angle was designed to prevent dirt accumulation, and for water and oil to roll off the surface. The LED lens retains a simple flat-surface for lighting and to help when wiping it down.



Reduces the "Blinding Light" Effect

This design conforms to the Photobiological Safety of Lamps and Lamp Systems (Compliance :EN62471- 2) in the Exempt Risk Group, which determines that no immediate retina damage is done.



One-touch Installation

Just sliding the body onto the bracket makes attachment easy; and it locks in place with a locking screw (which is hidden from the front). (Aluminum Body Only)

Angle Adjustment Bracket

The Worklight can be freely adjusted up to 60° up and down from the center. (With a scale at 10° step marks and screws to lock it into place.)

Surface-mounting Bracket

A space-saving flush-mount bracket. (Limited board thickness and lead wire specification of 6mm or less; M12 connector specification of 3mm or less) (Models 3 S-AG/3 C-AG Only)

Options

Refer to Page 192 for "Optional Parts"

Product Lineup

Specifications Length	Side-exiting Cable Series (S)	M12 Quick Disconnect Series (C)	M12 Quick Disconnect Daisy Link Series (CL)	Stainless Steel (SUS) Body Series (CSG/C-SA)
200 mm	2S (-CD) (-CN)	_____	_____	_____
300 mm	3S (-CD) (-CN)	3C (-CD) (-CN)	3CL (-CD) (-CN) *Up to 4 Units	3C (-CD) (-CN)
600 mm	6S (-CD)	6C (-CD) (-CN)	6CL (-CD) (-CN) *Only 1 Unit	_____

CLN

LED Work Light



Daylight
Warm White



IP66G/67G/69K

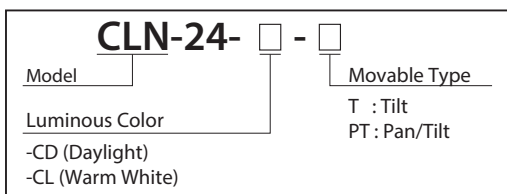
Water and Oil resistant high-power LED Work Light with an illuminance of 820 lx.

Industry's thinnest design at 22.2mm.

*The industry's first based on corporate investigation

- Made of aluminum alloy and tempered glass which is resistant to water, oil and coolants.
- Special design disperses heat radiation with illumination to surpass a 40W light bulb.
- The product lineup includes two colors (Daylight, Warm White) and two bracket options of Tilt (forward and back) or Pan & Tilt (forward, back and swivel left & right) to adapt to various scenarios.
- The operating temperature range of -40 to +60°C allows installation in sub-freezing temperature environments, such as cold storage warehouses.
- Conforms to CE and RoHS requirements.
- UL Listed (File No. E306141).

How to Order

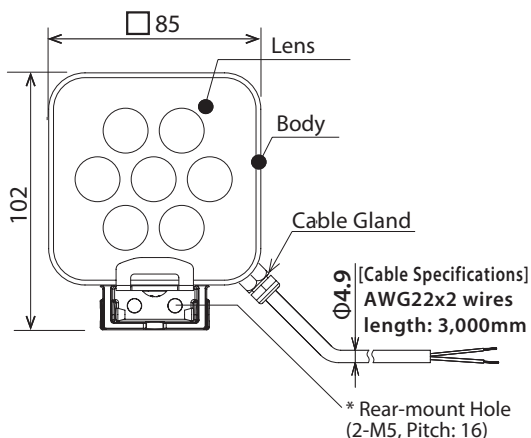


Specifications

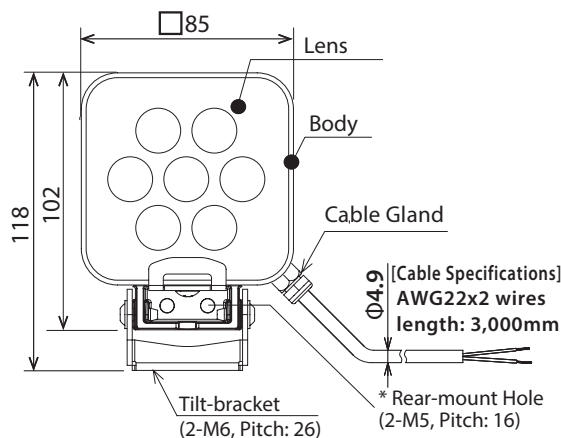
Model	CLN-24- <input type="checkbox"/> -T		CLN-24- <input type="checkbox"/> -PT	
Color Code (Color)	CD (Daylight)	CL (Warm White)	CD (Daylight)	CL (Warm White)
Color Temperature (typ.)	6500K	2700K	6500K	2700K
Illumination (typ.) (Centered at DC 24V)	820 lx	620 lx	820 lx	620 lx
Total Luminous Flux (typ.)	550 lm	330 lm	550 lm	330 lm
Rated Voltage	DC 24V (Polarized)			
Operating Voltage Range	DC 24V ±10%			
Protection Rating	IP66G/67G (JIS C 0920)/69K (DIN 40050 part 9) (excluding Cable ends)			
Mounting Location/Direction	Indoor / Any Direction			
Mass (Tolerance ±10%)	360g		430g	

Dimensions (Unit: mm)

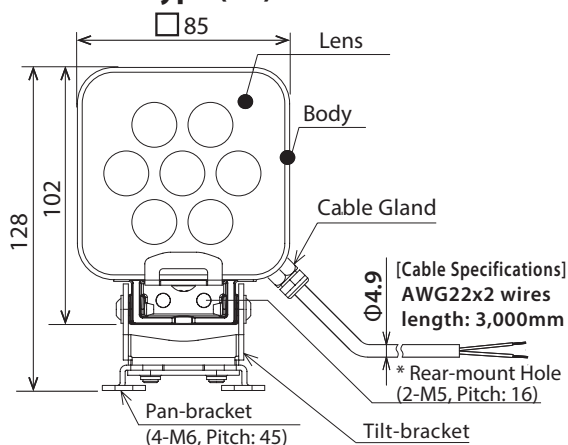
• Rear-mount Type (T/PT)



• Tilt Type (T)



• Pan/Tilt Type (PT)



Oil Exam

It has passed the oil resistant test from the following common cutting oils.

Company	Oil Type
Hangsterfer's	Hangsterfer's S-500
Yushiro Chemical Industry Co., Ltd.	Yushiroken Synthetic #663
Castrol	Syntilo 9954
BlaserSwisslube Inc.	Blasocut BC35LFSW

Confirmation in result of swelling, contraction, dissolution, exfoliation, separation, cracks, and discoloration by the accelerated impregnation examination with the above-mentioned oil type for diluted oil at 55°C for 240 hours (ten days) was made.

Due to the additive agents in oil, the application of oils other than the ones mentioned may influence physical properties, therefore, please inquire in advance.

* The mentioned company names, product names, trademarks, etc. are the registered trademarks or trademarks in Japan for each company, and/or other countries.

Features

Tilt Type (T Type)

Tilt Type Adjusts to 180°

Has tilt adjustment of 180°, and can be folded up to a width of 33mm, making it easier to mount.

Floor Mount Example



Wall Mount Example



Ceiling Mount Example



Pan/Tilt Type (PT Type)

Pan/Tilt Type Adjusts to 180°

Adjusts to 120°

Has tilt adjustment of °180 with a pan angle of °120, and can be folded up to a width of 43mm. Horizontal wall-mounting and free adjustment for any application.

Floor Mount Example



Wall Mount Example



Ceiling Mount Example



※ The tilt & pan/tilt brackets can also be removed for Rear Attachment applications.

CWA

LED Light Bar



Daylight

IP65

CWA-3S-CD

CWA-6S-CD

CWA-9S-CD

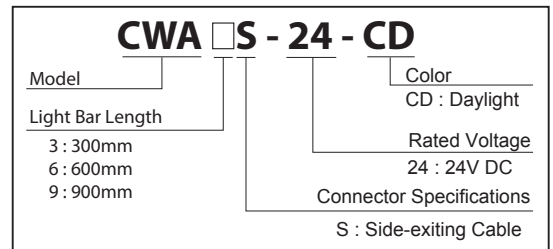
Affordable replacement for fluorescent lighting.

An affordable replacement, the slim LED light bar can outperform a conventional fluorescent lamp. The protection rating of IP65 is a standard which allows installation in most common environments.

FEATURES

- Available for DC 24V applications
- Long-lasting LED's greatly reduce maintenance costs
- Total luminous flux of 350lm, 100lx luminance at 1m (Voltage: DC24V)
- A set of two stainless-steel mounting brackets is a standard accessory
- Operating temperature range from -30 to +60 degrees C.
- LED color temperature is Daylight (6500K)

How to Order



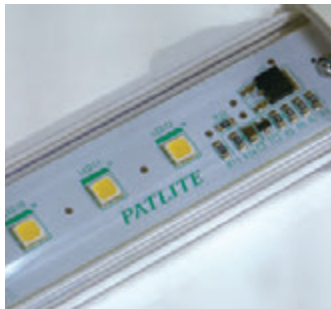
Specifications

Model	CWA3S-24-CD	CWA6S-24-CD	CWA9S-24-CD	
Luminous Color	Daylight			
Color Temperature (typ.)	6500K			
Illuminance (at DC24V)	1.0m	440 lx	800 lx	990 lx
Total Luminous Flux (typ.)	350 lm	700 lm	1050 lm	
Operating Voltage Range	24VDC ±10%			
Current Consumption	180mA	360mA	540mA	
Rated Power Consumption	6W	12W	18W	
Operating Ambient Temperature	-30°C - +60°C			
Operating Ambient Humidity	90% RH or less, no condensation			
Main Unit Material	Body: Polycarbonate Resin; Packing: Silicon			
Cable Length	3 meters			
Mounting Location	Indoors			
Protection Rating	IP65 (Cable ends not included)			
Insulation Resistance	500V DC 5MΩ or more			
Withstand Voltage	500VAC for 1 minute (Between terminals and screw)			
Vibration Resistance	30Hz 19.6m/s ²			
Mass (Tolerance ±10%)	215g	385g	540g	

Standard Accessory



Highly reliable LED chips are used

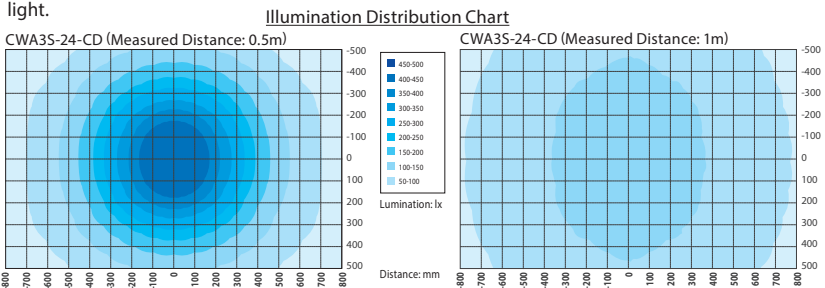


High-definition LED chip

The highly reliable LED chip, which is the core of LED lighting, has nearly 10 times (about 40,000 hours) the lifespan (based on LED brightness of 70%) in comparison to the common fluorescent light, it also does not contain any mercury.

A uniform light that subdues glare

In comparison to an LED luminous source, we take advantage of the straight beam optical characteristic of the LED without dropping brightness or overdoing it, but reproducing a natural light.



Cost Saving

Energy ab. **82.7%** Less

Based on 10 hrs. per day for 365 days

Annual Power Consumption	100V20W Fluorescent	CWA LED Light Bar
	88kWh	15.3kWh

Earth Friendly

CO2 Emissions ab. **80.7%** Less*

Based on 10 hrs. per day for 365 days

CO2 Annual Power Consumption	100V20W Fluorescent	CWA LED Light Bar
	31kg	6kg

Long Life

Lifespan **9** times more

Lifespan	Conventional Fluorescent	CWA LED Light Bar
	4,000 to 13,000Hrs.	36,000Hrs.

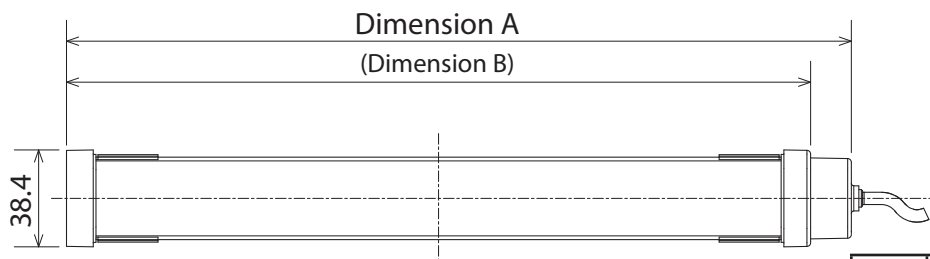
Low Heat

In Comparison ab. **31%** Less

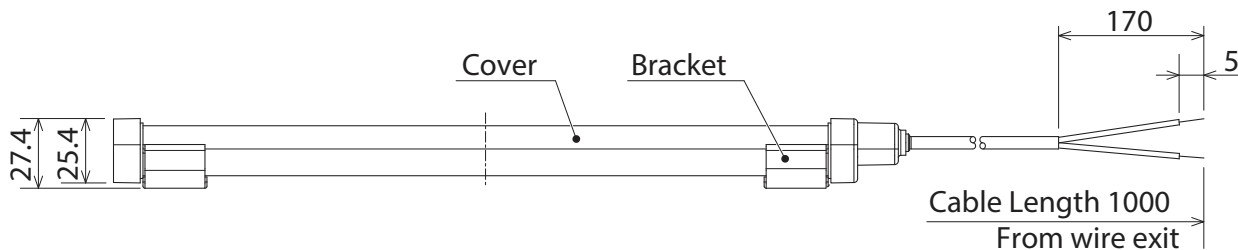
Measured 1 hr. after lighting

Heat Radiation	Flourescent (FL20SS)	CWA LED Light Bar
	60°C At Room Temperature	41.5°C At Room Temperature

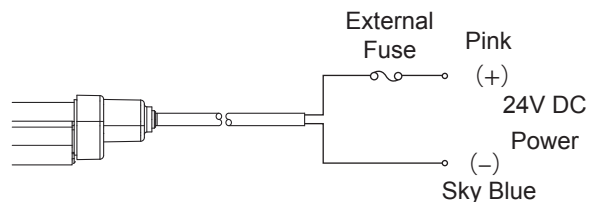
Dimensions (Unit: mm)



Model Name	Dimension A	Dimension B
	Total Length	Lighting Area
CLA3S	315.5	300
CLA6S	621.0	600
CLA9S	916.5	900



Wiring



[Enforced]

There is no protection rating for the area surrounding the tip of the cable. To ensure insulation of water intrusion, the use of fillers (such as silicon, etc.) to plug up the tip part is recommended.