

PATLITE[®]
New Frontiers in Safety, Security and Comfort.

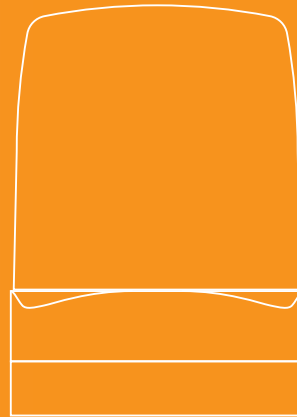
sensorMATIC
SPECIALIST&SOLUTIONS

Sensormatic srl - Via della Beverara 13 - 40131 Bologna - Italia
Tel. +39 051 6353 511 - Fax +39 051 6345 925 - www.sensormatic.it

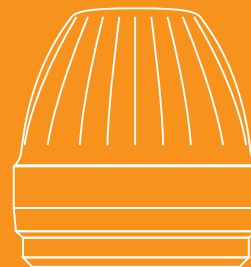
GENERAL CATALOG



www.patlite.com



Signal Lights



NE-24

LED Dome Signal Light



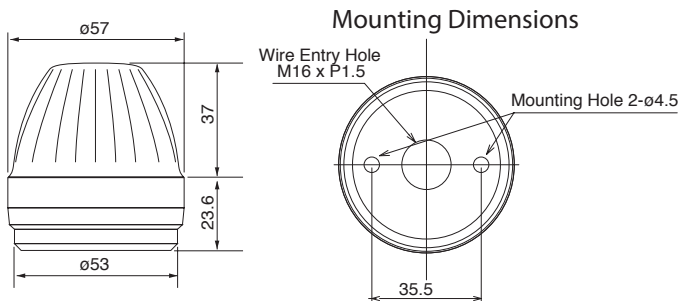
- LED
- IP65
- Ø57
- NPN/PNP
Open-collector

NE Series LED Dome Indicator Light;
The dome-shaped globe provides increased visibility while
the LEDs provide years of maintenance-free operation.

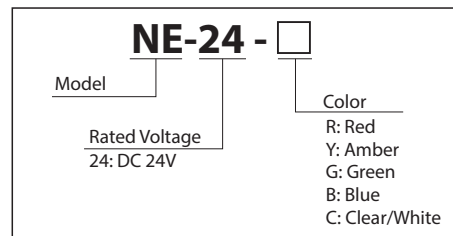
FEATURES

- Enhanced Illumination with the use of long-life, super bright LEDs.
- Low power consumption increases energy efficiency.
- High vibration-resistance and unnecessary bulb replacement makes it maintenance-free.
- Uses a terminal block for easy wiring.
- Applications are suitable for small tooling machines, control panels, etc.
- Available colors are in Red, Amber, Green, Blue, and Clear/White.
- Has the CE mark and conforms to the requirements for the EC directive.

Dimensions (Unit: mm)



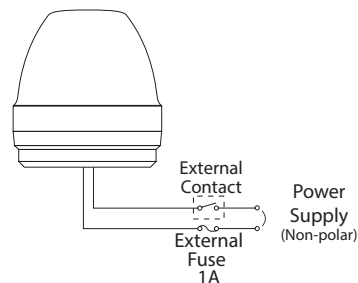
How to Order



Specifications

Model	Color	Rated Voltage	Power Consumption	Operating Temperature Range	Mass
NE-24-R	RED	DC 24V	0.63W	-30 C - +50 C	55g
NE-24-Y	AMBER				
NE-24-G	GREEN				
NE-24-B	BLUE				
NE-24-C	CLEAR/WHITE				

Wiring





PEW-A/PES-A

Multi-speed Flashing Signal Light



Optional Rubber Gasket SZ-210

- LED
- 1 Alarm Sound (PEW-B)
- 85dB at 1m (PEW-B)
- IP55*
- Ø82
- NPN Open-collector

* PEW-A: IP54 (IP23 with side-wire exit mounting)
 * PES-A: IP55 with the optional rubber gasket SZ-210 (IP23 without SZ-210).

Dome shape LED Signal Light featuring enhanced visibility and maintenance-free operation.

FEATURES

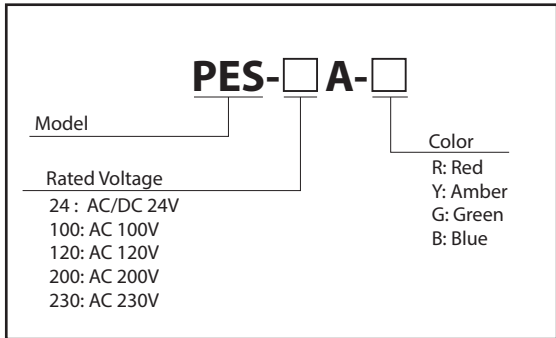
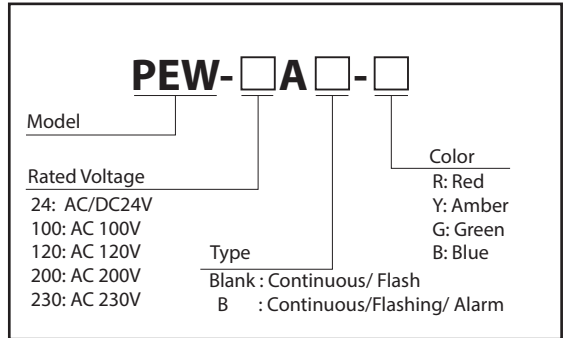
- Has maintenance-free LED's that consume nearly half the power incandescent bulb models (AC100V/200V) do.
- Newly-developed triple-reflection system for enhanced visibility and low power consumption.
- PEW-B type has a built-in adjustable audible alarm with a volume of up to 85dB (at 1m).
- Indoor installation can be upright, inverted or sideways; Outdoors is for upright only.
- The PES is rated for IP55 with the optional rubber gasket SZ-210 (IP23 without SZ-210).
- Has the CE mark and conforms to the requirements for the EC directive. (for 24V type)
- Is a UL Recognized Component (File No. E215660, for 24V, 120V, 230V types only).
- Dome is made of superior weather resistant and light translucent acrylic resin.
- Three flashing patterns of 60/120/180 fpm, switch selectable.
- The PEW is rated for IP54 (IP23 with side-wire exit mounting)
- Available colors are in Red, Amber, Green, and Blue.

AVAILABLE BY SPECIAL ORDER

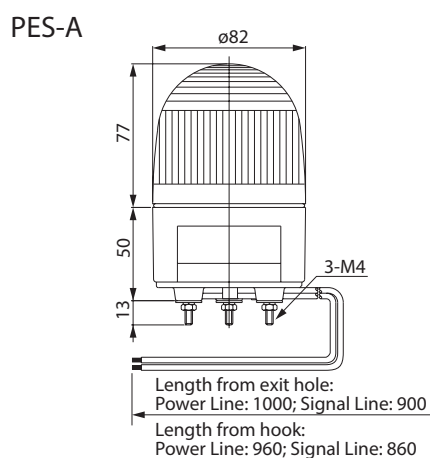
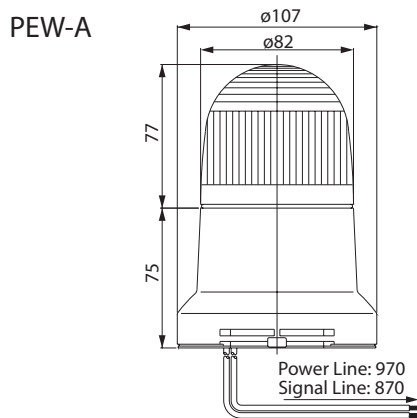
- Body Color: Silver
- IP65: PEW type only



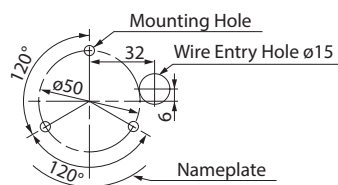
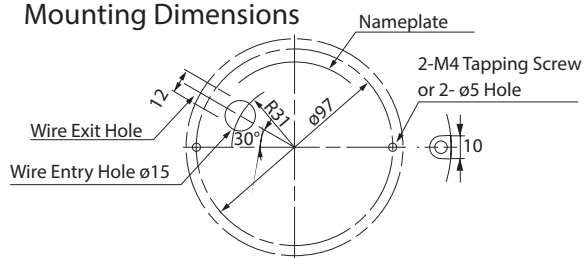
How to Order



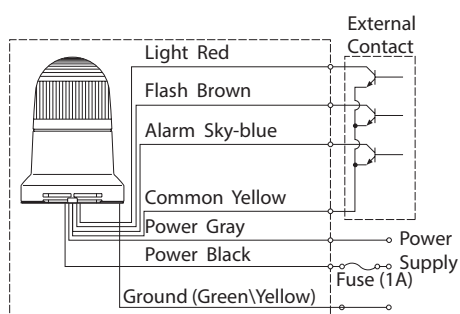
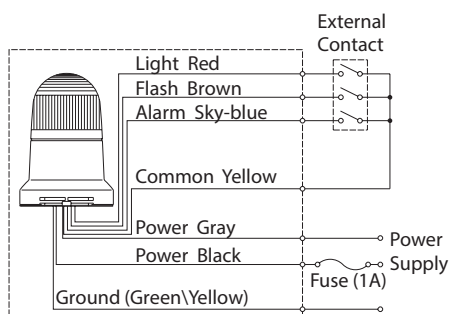
Dimensions (Unit: mm)



Mounting Dimensions



Wiring



- * All Models have the same wiring
- * Sky-blue signal wire is for buzzer type only
- * Ground wire is added for high-voltage types only

Specifications

Model	Color	Rated Voltage	Power Consumption	Inrush Current	Mass
PEW-24A	R/Y	AC/DC 24V	1.2W	2.5A	320g
	G/B		1.5W		
PEW-24AB	R/Y	AC/DC 24V	2.2W	2.5A	340g
	G/B		2.5W		
PEW-100A	R/Y	AC 100V	2.8W	1.0A	520g
	G/B		3.3W		
PEW-100AB	R/Y	AC 100V	5.3W	1.0A	540g
	G/B		5.8W		
PEW-120A	R/Y	AC 120V	3.0W	1.0A	520g
	G/B		3.5W		
PEW-120AB	R/Y	AC 120V	5.7W	1.0A	540g
	G/B		6.2W		
PEW-200A	R/Y	AC 200V	2.5W	0.5A	520g
	G/B		3.2W		
PEW-200AB	R/Y	AC 200V	4.9W	0.5A	540g
	G/B		5.6W		
PEW-230A	R/Y	AC 230V	3.1W	0.5A	520g
	G/B		3.8W		
PEW-230AB	R/Y	AC 230V	5.9W	0.5A	540g
	G/B		6.4W		

Model	Color	Rated Voltage	Power Consumption	Inrush Current	Mass
PES-24A	R/Y	AC/DC 24V	1.2W	2.5A	240g
	G/B		1.5W		
PES-100A	R/Y	AC 100V	4.2W	1.0A	430g
	G/B		4.7W		
PES-120A	R/Y	AC 120V	4.4W	1.0A	430g
	G/B		4.9W		
PES-200A	R/Y	AC 200V	4.0W	0.5A	430g
	G/B		4.7W		
PES-230A	R/Y	AC 230V	4.6W	0.5A	430g
	G/B		5.3W		

PSE

LED Signal Light



LED

IP55 with SZ-210

Ø82



Optional Rubber Gasket SZ-210

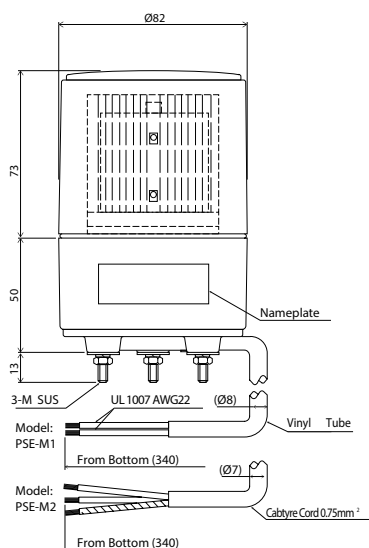


New LED flashing beacon! Can outlast a conventional Xenon lamp and is available in four LED Colors.

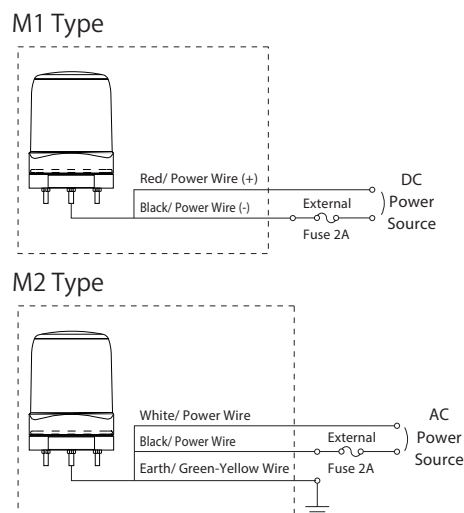
FEATURES

- Has maintenance-free LED's that consume nearly half the power incandescent bulb models do.
- The PSE is rated for IP55 with the optional rubber gasket SZ-210 (IP23 without SZ-210).
- Has the CE mark and conforms to the requirements for the EC directive.
- Three flashing patterns of 110 fpm (±10%).

Dimensions (Unit: mm)



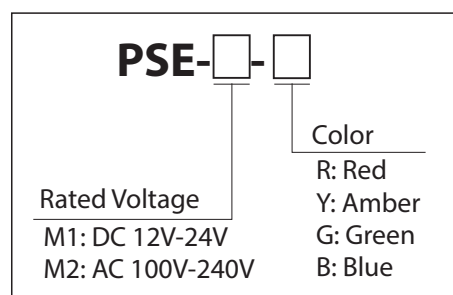
Wiring



Specifications

Model	PSE-M1	PSE-M2
Rated Voltage	DC 12V - 24V	AC 100V-240V
Power Consumption	3.0W	3.2W
Maximum Operating Ambient Temperature	60°C	
Protection Rating	IP23	
Mounting Location	Indoor or Outdoor Use	
Flash Rate	110 ±10rpm (Triple-flash)	
Mass	0.30kg	0.35kg

How to Order



LFH

LED Signal Light



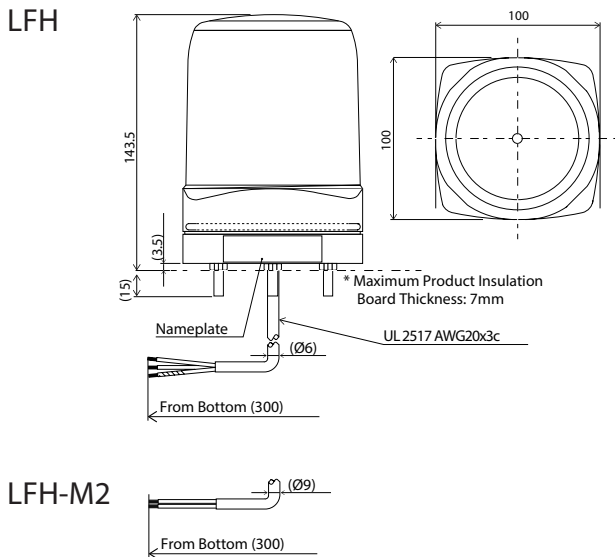
LED

IP66

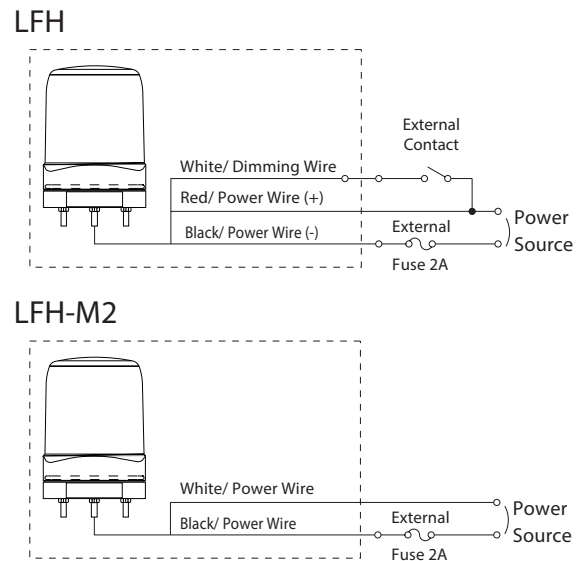
Ø100

New LED flashing beacon! Available in five outdoor visible LED Colors and has UL certification.

Dimensions (Unit: mm)



Wiring

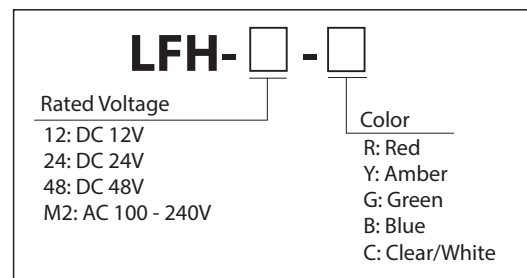


Specifications

Model	LFH-12	LFH-24	LFH-48	LFH-M2
Rated Voltage	DC 12V	DC 24V	DC 48V	AC 100 - 240V
Current Consumption (max)	0.50A	0.23A	0.18A	0.12A
Operating Ambient Temperature Range	-30°C to +70°C		-20°C to +60°C	
Protection Rating	IP66			
Mounting Location	Indoor or Outdoor Use			
Flash Rate	110 ±10fpm (Triple-flash)			
Certifications	UL, CE ¹ , RoHS, FCC			
Mass		0.57kg		0.61kg

*1 LFH-48 not CE certified.

How to Order



LFK-S

LED Signal Light



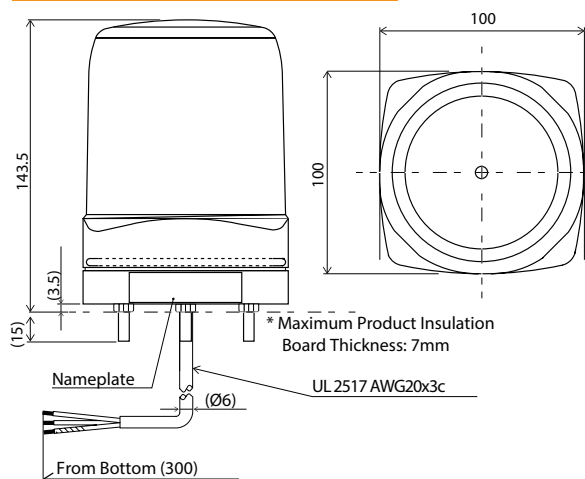
LED

IP55

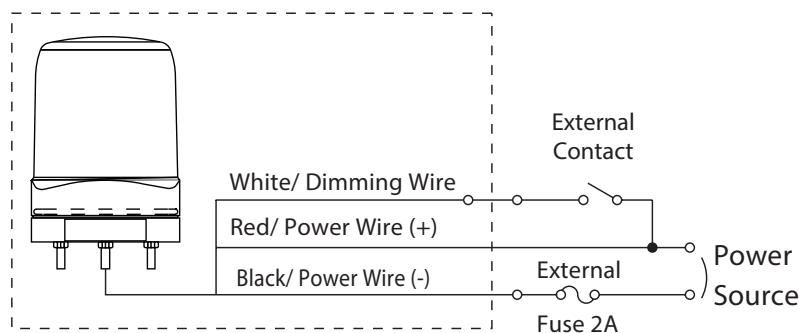
Ø100

New LED flashing beacon! So bright, it has a dimming input.

Dimensions (Unit: mm)



Wiring

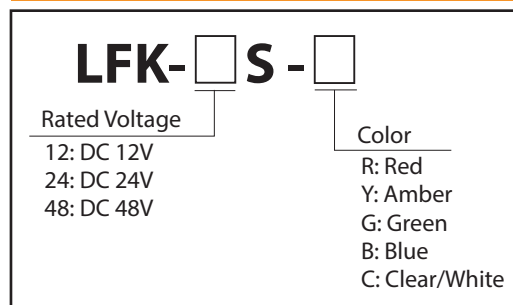


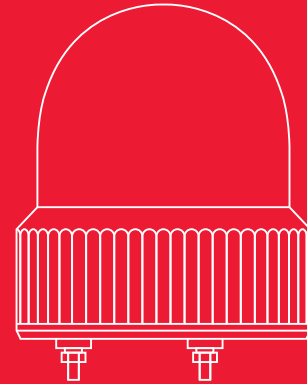
Specifications

Model	LFK-12S	LFK-24S	LFK-48S
Rated Voltage	DC 12V	DC 24V	DC 48V
Current Consumption (max)	0.49A	0.23A	0.17A
Operating Ambient Temperature Range	-20°C to +60°C		
Protection Rating	IP55		
Mounting Location	Indoor or Outdoor Use		
Flash Rate	140 ±14fpm (Triple-flash)		
Certifications	CE [†] , RoHS, ECE		
Mass	0.5kg		

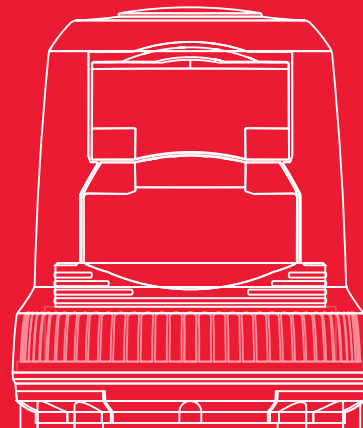
*1 LFK-48 not CE certified.

How to Order





Revolving Warning Lights



RKE/RKEB/RHE/RHEB



Super-bright LED Revolving Warning Light



- LED**
- IP55** with SZ-200A
- 1 Alarm Sound** (RHEB & RKEB)
- 90dB at 1m** (RHEB & RKEB)
- Ø100**



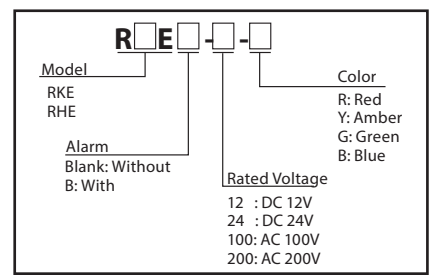
Optional Rubber Gasket SZ-200A

Compact LED revolving warning light featuring one super-bright LED chip and an enhanced high dispersion reflection system.

FEATURES

- RHEB/RKEB includes an internal alarm (hi-pitched tone) of 90dB (at 1m) that is synchronized with the light operation.
- Has the CE mark and conforms to the requirements (for 12V, 24V type only) for the EC directive.
- Compact motor with high durability and energy-efficient characteristics.
- Dome lens is made of impact and heat resistant polycarbonate resin.
- Energy-efficient by using only 1 LED chip which is super-bright.
- Main body is made of impact and heat resistant ABS resin.
- Colors available are Red, Amber, Green, and Blue.
- Uses a terminal block for easy wiring.

How to Order



Specifications

Model	Rated Voltage	Current Consumption	Flash Rate	Mass
RKE/RKEB-12	DC 12V	0.25A	120 fpm	400g
RKE/RKEB-24	DC 24V	0.16A		400g
RKE/RKEB-100	AC 100V	0.04A		600g
RKE/RKEB-200	AC 200V	0.02A		600g
RHE/RHEB-12	DC 12V	0.25A		400g
RHE/RHEB-24	DC 24V	0.16A		400g
RHE/RHEB-100	AC 100V	0.04A	600g	600g
RHE/RHEB-200	AC 200V	0.02A		600g

Newly developed reflector for LED revolving warning light

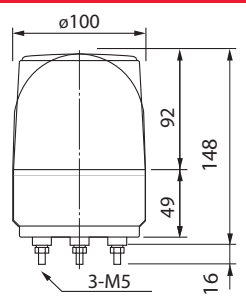


The PATLITE LED revolving warning light uses a unique and patented reflecting system, solely designed for these models. Even though the dispersion characteristics of the LED chip is less than an incandescent bulb, PATLITE's unique design creates an equivalent dispersion effect with the light reflector.

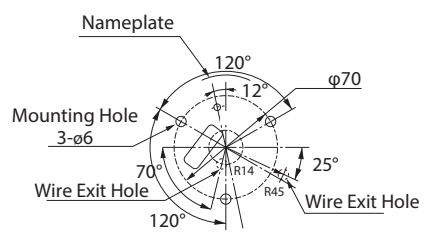


The uniquely designed reflectors not only reflect upward and to the side, but also downward; this cannot be achieved by incandescent bulb type revolving warning lights. The PATLITE LED revolving warning light is suitable for applications where high visibility from a low angle is required.

Dimensions (Unit: mm)



Mounting Dimensions





SKHE / SKHEB

Super-bright LED Revolving Warning Light



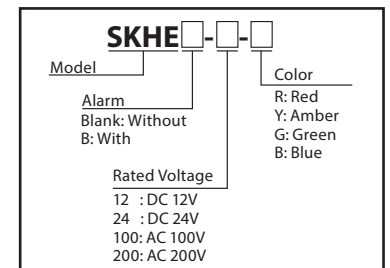
- LED
- 90dB at 1m (SKHEB)
- IP23
- Ø118

Compact LED revolving warning light featuring one super-bright LED chip and an enhanced high dispersion reflection system.

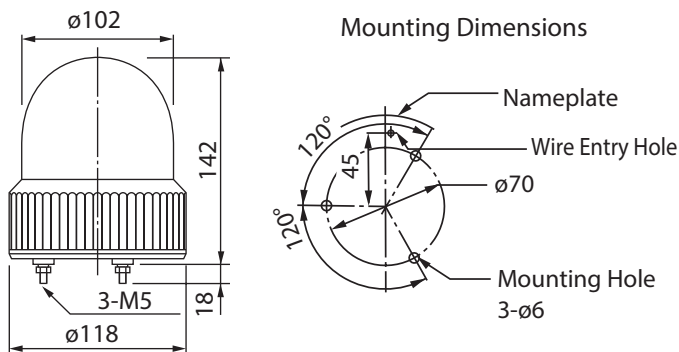
FEATURES

- SKHEB series includes an internal alarm (hi-pitched tone) of 90dB (at 1m) that is synchronized with the light operation.
- Indoors allows upright, inverted, and horizontal installation; outdoors allows upright installation only.
- Has the CE mark and conforms to the requirements (for 12V, 24V type only) for the EC directive.
- Compact motor with high durability and energy-efficient characteristics.
- Energy-efficient by using only 1 LED chip which is super-bright.
- Dome lens is made of impact and heat resistant polycarbonate resin.
- Colors available are Red, Amber, Green, and Blue.

How to Order



Dimensions (Unit: mm)



Specifications

Model	Rated Voltage	Current Consumption	Flash Rate (fpm)	Mass
SKHE/SKHEB-12	DC 12V	0.25A	120	400g
SKHE/SKHEB-24	DC 24V	0.16A		600g
SKHE/SKHEB-100	AC 100V	0.04A		
SKHE/SKHEB-200	AC 200V	0.02A		

Newly developed reflector for LED revolving warning light



The PATLITE LED revolving warning light uses a unique and patented reflecting system, solely designed for these models. Even though the dispersion characteristics of the LED chip is less than an incandescent bulb, PATLITE's unique design creates an equivalent dispersion effect with the light reflector.



The uniquely designed reflectors not only reflect upward and to the side, but also downward; this cannot be achieved by incandescent bulb type revolving warning lights. The PATLITE LED revolving warning light is suitable for applications where high visibility from a low angle is required.

RLR

LED Revolving Warning Light



LED



IP66

Ø162



Ideal for forklift, material handling equipment and a great variety of applications.

FEATURES

- Has the CE mark and conforms to the requirements (for 12V, 24V, 48V type) for the EC directive.
- Colors available are Red, Amber, Green, and Blue.
- RLR complies with the RoHS Directive.

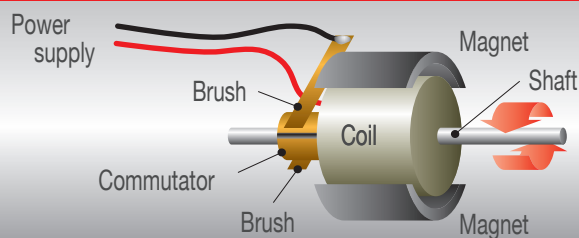
LED + Brushless Motor + Bearing Mechanism



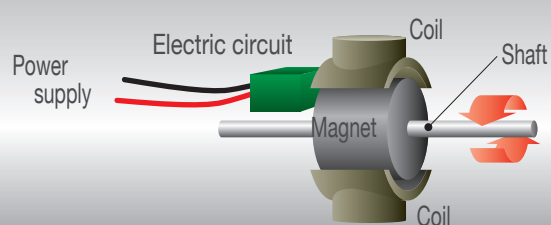
■ Long Life

The RLR has many advantages in comparison to a rotating beacon using incandescent bulbs and the conventional motor. The LED will last approximately 20 to 40 times longer than an incandescent bulb, and in combination with a brushless motor with bearings, allows the RLR to operate from 8,000 hrs to 10,000 hrs, compared to 5,000 hrs for other rotating beacons.

Conventional Motor Construction



Brushless Motor Construction





Vibration Resistance*



High Visibility



High Protection

IP66 TEST PROCEDURE

IPX6= Water is sprayed for at least 3 minutes at a flow rate of 100 L/min from a distance between 2.5m to 3.0m, and from all 360° directions using a 12.5mm diameter jet hose nozzle.

IP6X= The target unit is tested under-pressure in a dust chamber for 8 hours.

How to Order

Model Code	Rated Voltage 04 : DC 48V M1 : DC 12-24V M2 : AC 90~250V	RLR- <input type="checkbox"/> - <input type="checkbox"/> - <input type="checkbox"/>	Color R : Red Y : Amber G : Green B : Blue	Mounting Dimensions Blank : $\phi 140$ P : $\phi 120$
-------------------	--	--	---	--

Typical Vibration Values

2G (19.6m/s²)



Passenger Car

4.5G (44.1m/s²)



Construction Machinery

7G (68.6m/s²)



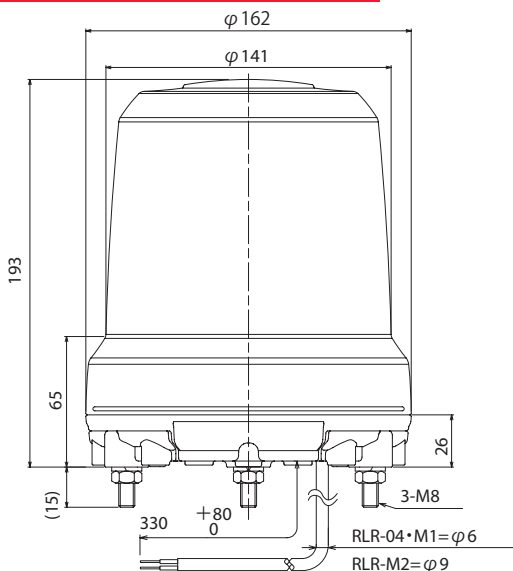
Emergency Vehicle

11G (107.8m/s²)

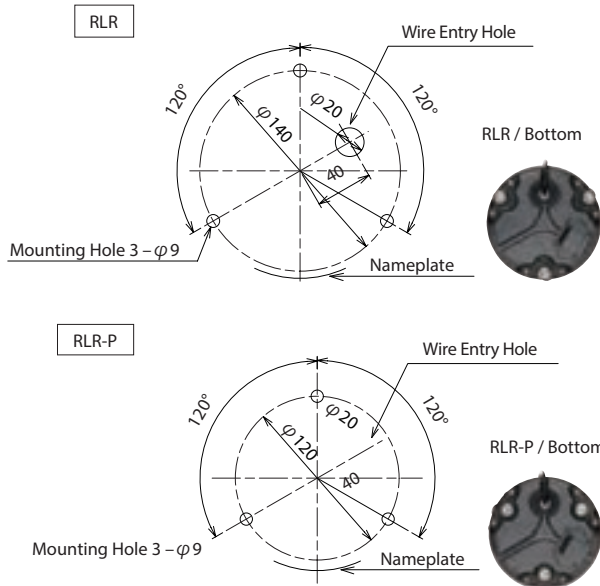


Dump Trucks

Dimensions (Unit: mm)



Mounting Dimensions



Specifications

Model	Rated Voltage	Operating Voltage Range	Vibration Resistance	Operating Temperature Range	Dome	Mass
RLR-M1	DC 12-24V	DC 9.5V - 32V	110m/s ² (11G)	-30 C - +70 C	-R (Red) -Y (Amber) -G (Green) -B (Blue)	1.0kg
RLR-04	DC 48V	DC 20V - 30V				
RLR-M2	AC 90-250V	AC 90V - 250V	45m/s ² (4.5G)	-10 C - +50 C		1.06kg

KUS

Cube Tower



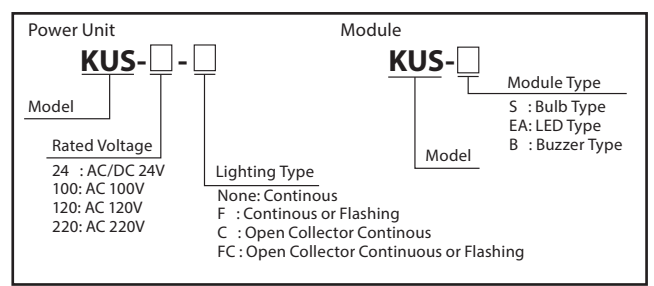
- LED
- Bulb
- 1 Alarm Sound
- 80db at 1m
- IP54 (Except KUS-B)
- 70

The KUS Series cube tower; uses advanced technology with a modular design to combine two different lights on one unit.

FEATURES

- Light modules can be stacked up to 4 tiers in any color combination.
- RoHS Compliance for Models KUS-24, KUS24F, KUS-EA-R/Y/G/B/C.
- Lenses are made of heat and shock resistant polycarbonate resin.
- Each light has a built-in dip switch to control the light on or off.
- Maximum power consumption of the base unit is 21 watts.
- Light and Base units are sold separately.
- IP rating of IP54 (Except the KUS-B)
- KUS-F flashes 60 times a minute.

How to Order



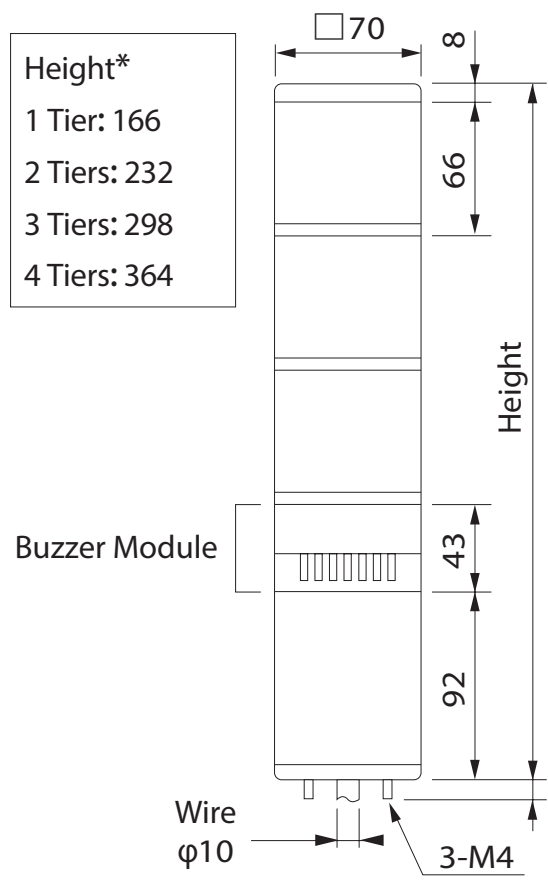
Specifications

Power Unit	Model	Rated Voltage	Power Consumption
Continuous Lighting	KUS -24	AC/DC 24V	21W
	KUS -100	AC 100V	
	KUS -120	AC 120V	
	KUS -220	AC 220V	
Continuous Lighting or Flashing	KUS -24 F	AC/DC 24V	
	KUS -100 F	AC 100V	
	KUS -120 F	AC 120V	
	KUS -220 F	AC 220V	
Open-Collector Continous Lighting	KUS -24 C	AC/DC 24V	
	KUS -100 C	AC 100V	
	KUS -120 C	AC 120V	
	KUS -220 C	AC 220V	
Open-Collector Continous Lighting or Flashing	KUS -24 FC	AC/DC 24V	
	KUS -100 FC	AC 100V	
	KUS -120 FC	AC 120V	
	KUS -220 FC	AC 220V	

Model	Rated Voltage	Power Consumption	Bulb	
			Ratings	Repl. No.
KUS-S (Bulb)	DC 24V	6W	24V 6W	19
KUS-EA (LED)			—	—

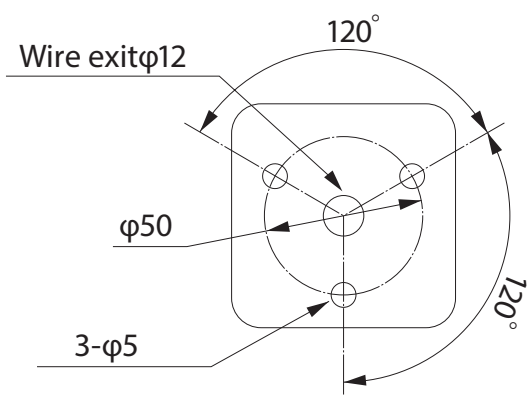
Model	Rated Voltage	Power Consumption	Volume
KUS-B	DC 24V	0.5W	80dB (at 1m)

Dimensions (Unit: mm)



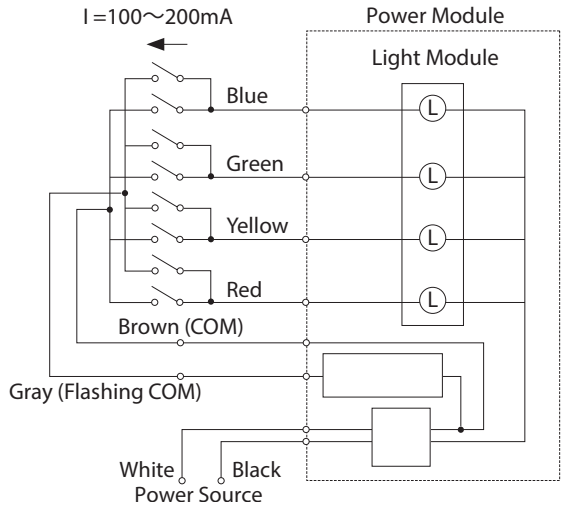
* Buzzer module height not included

Mounting Dimensions

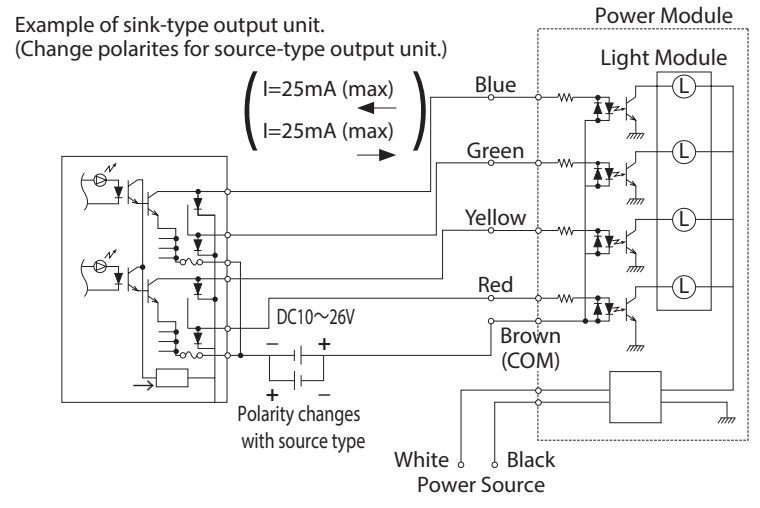


Wiring

Contact Input Type
(KUS, KUS-F)



Open-collector Type
(NPN/PNP for KUS-FC,C)





KJS / KJSB

KJS/KJSB

Cube Tower



- Bulb**
- 1** Alarm Sound
- 80** db at 1m (KJSB)
- IP23**
- 82**
- NPN/PNP**
Open-collector

Lightweight Cube Tower featuring a built-in buzzer designed to fit applications for small equipment.

FEATURES

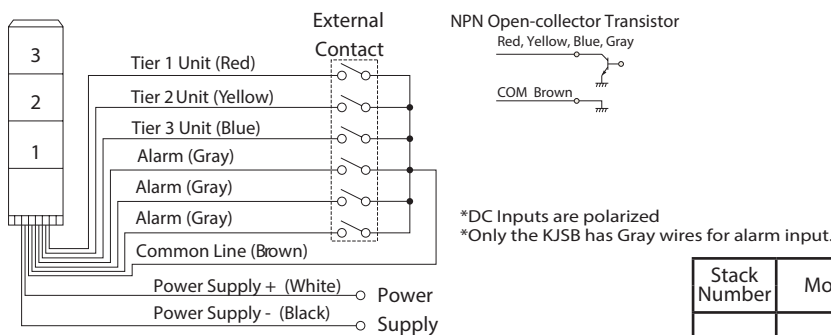
- Built-in Alarm with intermittent buzzer sound and volume of up to 85dB (at 1m).
- Lens is made of superior weather-resistant and light-translucent AS resin.
- Rotating parabolic reflector to enhance visibility from a distance.
- Main body is made of impact and heat resistant ABS resin.
- Available colors are Red, Amber, Green, and Blue.
- Flashing cycle of 160 times/min.
- One spare bulb is included.

How to Order

KJS□-302-RYG

<p>Type</p> <p>Blank: No Alarm B: With Alarm</p> <p>Tiers 1~3</p>	<p>Color</p> <p>R: Red Y: Amber G: Green B: Blue (Top to bottom)</p> <p>Rated Voltage</p> <p>01: DC 12V 02: DC 24V 10: AC 100V 12: AC 120V 20: AC 220V</p>
---	--

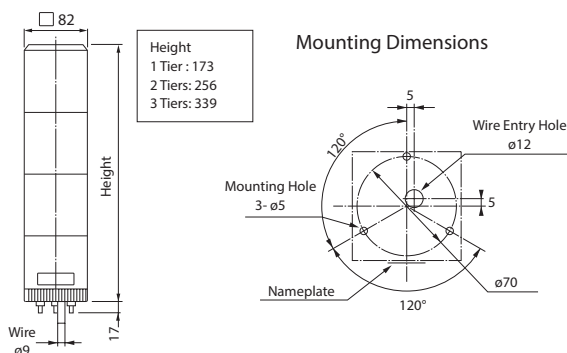
Wiring



Specifications

Stack Number	Model	Rated Voltage	Power Consumption	Flash Rate (fpm)	Bulb	
					Ratings	Repl. No.
1 Tier	KJS KJSB	-101 DC 12V	6W	160	12V 5W	12
		-102 DC 24V	12W		24V 10W	10
		-110 AC 100V	8W		12V 5W	12
		-112 AC 120V			24V 10W	10
		-120 AC 200V			12V 5W	12
2 Tiers	KJS KJSB	-201 DC 12V	11W		12V 5W	12
		-202 DC 24V	24W		24V 5W	10
		-210 AC 100V	16W		12V 5W	12
		-212 AC 120V			24V 10W	10
		-220 AC 200V			12V 5W	12
3 Tiers	KJS KJSB	-301 DC 12V	16W	12V 10W	9	
		-302 DC 24V	35W	24V 10W	10	
		-310 AC 100V	23W	12V 5W	12	
		-312 AC 120V				
		-320 AC 200V				

Dimensions (Unit: mm)



KJ / KJB

Cube Tower

Bulb



1 Alarm Sound

85dB at 1m (KJB)

IP23

□116

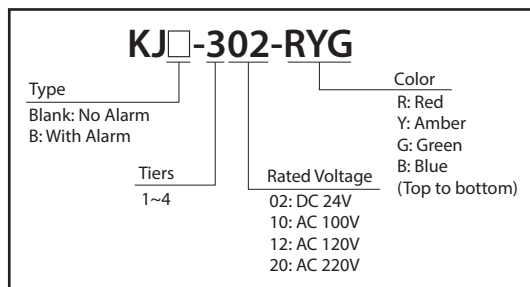


Lightweight Cube Tower featuring a built-in buzzer suitable for various indoor applications.

FEATURES

- Built-in Alarm with intermittent buzzer sound and volume of up to 85dB (at 1m).
- Lens is made of superior weather-resistant and light-translucent AS resin.
- Rotating parabolic reflector to enhance visibility from a distance.
- Main body is made of impact and heat resistant ABS resin.
- Available colors are Red, Amber, Green, and Blue.
- Installation is in the upright position only.
- Flashing cycle of 130 times/min.
- One spare bulb is included.

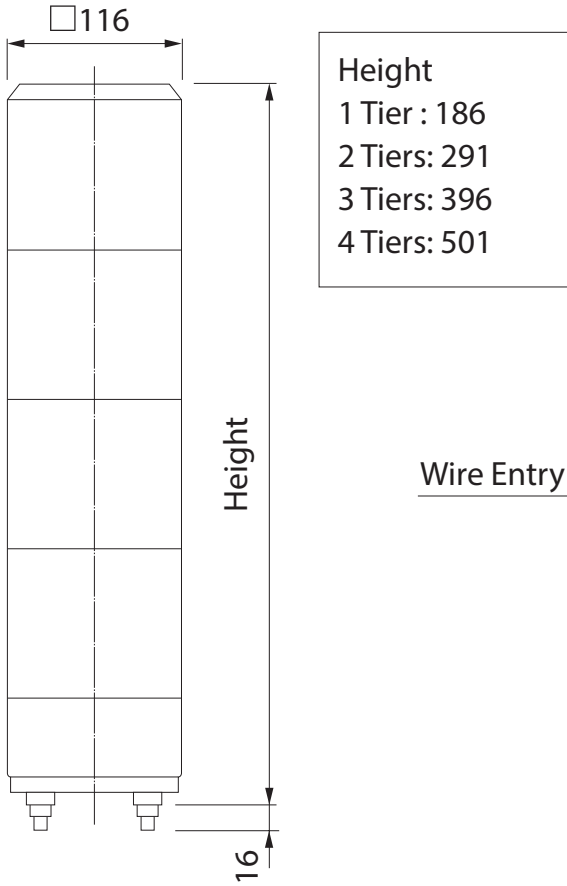
How to Order



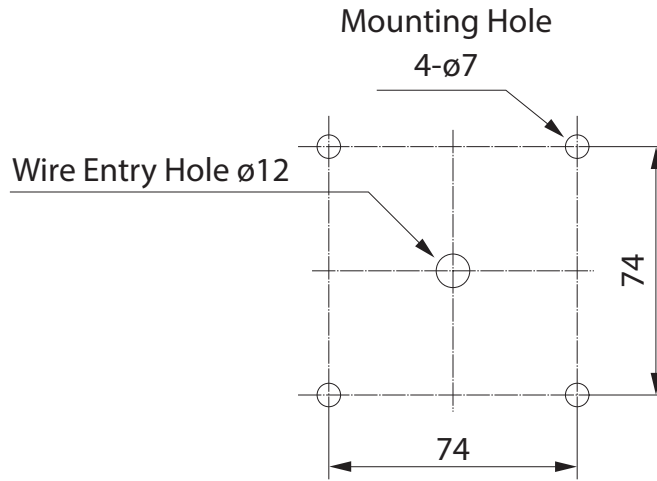
Specifications

Stack Number	Model		Rated Voltage	Power Consumption	Flash Rate (fpm)	Bulb		
						Ratings	Repl. No.	
1 Tier	KJ	KJB	-102	DC 24V	13.5W	130	24V 10W	10
			-110	AC 100V	6W		12V 5W	12
			-112	AC 120V	7W			
			-120	AC 200V	5.5W			
2 Tiers	KJ	KJB	-202	DC 24V	25.54W	24V 5W	10	
			-210	AC 100V	11W	12V 5W	12	
			-212	AC 120V	13W			
			-220	AC 200V	9.9W			
3 Tiers	KJ	KJB	-302	DC 24V	37.5W	24V 10W	10	
			-310	AC 100V	16W	12V 5W	12	
			-312	AC 120V	18W			
			-320	AC 200V	14.3W			
4 Tiers	KJ	KJB	-402	DC 24V	49.5W	24V 10W	10	
			-410	AC 100V	21W	12V 5W	12	
			-412	AC 120V	26W			
			-420	AC 200V	18.7W			

Dimensions (Unit: mm)

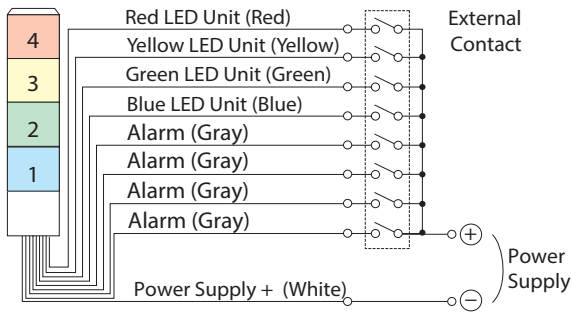


Mounting Dimensions

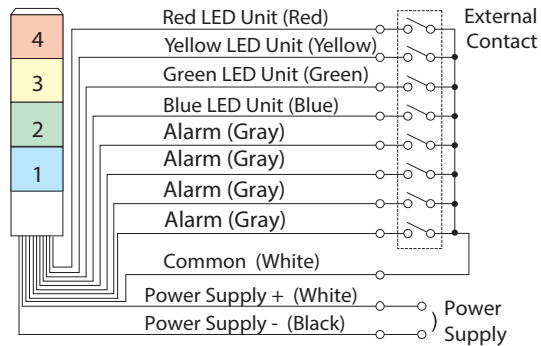


Wiring

KJ/KJB (24V DC)



KJ/KJB (100V AC, 220V AC)

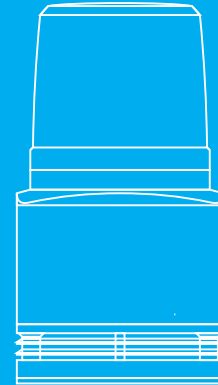


*KJ-110/112/120 are voltage-contact type, therefore have no alarm signal wires.

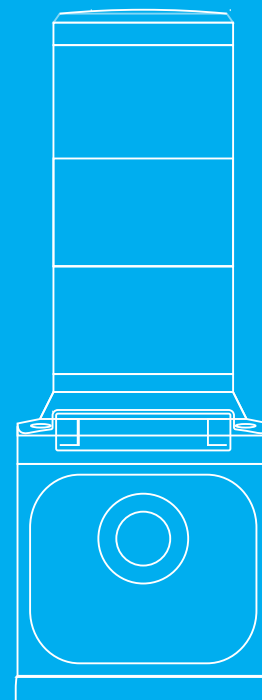
*Only the KJB has Gray wires for alarm input.

Current Consumption and Contact Capacity per Module

Rated Voltage	Signal Wire Current	Inrush Current	External Contact Capacity	Alarm Wire Current	Alarm Wire Inrush Current
24V DC	0.42A	4.6A	5A or more	60mA	500mA
100VAC/120VAC/220VAC					



Hybrid Products



RFT



Audible Alarm & LED Tower


LED

90dB at 1m
32 Alarm Sounds
IP54
115
**NPN
Open-collector**


An LED Rotating Light with built-in alarm sounds controllable by binary or bit input for a maximum of 32 sounds!

FEATURES

- Sound reduction feature to drop the volume by about 10dB (at 1m) when an input signal is received (Binary Mode only).
- Using an SD Card can allow customization of one sound group to be re-arranged using any of the pre-installed sounds.
- Compliance with the RoHS Directives makes it environmentally friendly.
- Complies with EU directives and includes the CE mark (for 24V type).
- Can be controlled with NPN open-collector transistor inputs.
- A side panel access allows easier volume adjustment.
- Produces a loud sound of up to 90dB (at 1m)

How to Order

RFT-24A-		□
Rated Voltage		Globe Color
24: DC 24V		R: Red
100: AC 100V		Y: Amber
220: AC 220V		G: Green
	Sound Type	B: Blue
	A: A Type	
	C: C Type	
	D: D Type	
	E: E Type	

Sound Chart

Type E			(Worldwide)
Beep (slow intermittent)	Stutter + Bell	Inverted Reveille	Annie Laurie
Stutter (rapid intermittent)	Synthesized Melody	Galactic Motor	London Bridge is falling down
Bell (clear high-pitch)	Chime	Ringin' Phone	Mary had a little Lamb
Yelp (rapid siren)	Call Sign	Two Tone	Camptown Races
Rapid Hi-Lo	Train Ride	Alarm Clock	Amaryllis
Melody Chime	Galloping Hi-Lo	Ringin' Hi-Lo	Mozart Symphony No. 40
Synthesized Piano	Alien Chatter	Fur Elise	Ave Maria
Synthesized Bell	Falling Crystals	Bach Minuet in Gmaj	Grandfather's Clock

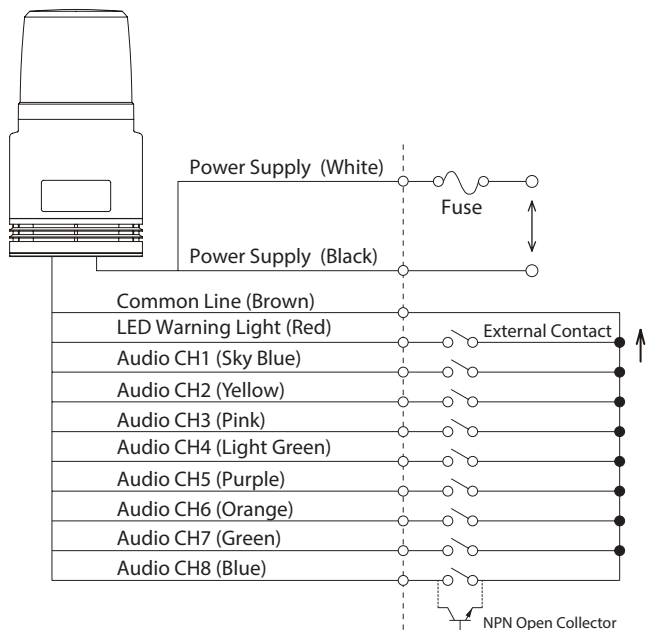
Specifications

Series	Model	Rated Voltage	Operating Voltage Range	Maximum Power Consumption	Sound Level	Operating Temperature Range	Flashes per Minute	Protection Rating	Vibration Resistance	Mass
RFT	RFT-24	DC 24V	DC 24V ±10%	12 W	Max. 90dB (at 1m)	-10°C - +50°C (85%RH or less)	115 ±15	IP54 (When Flush-mounted)	19.6m/s ²	1.0kg
	RFT-100	AC 100V	AC 100V ±10%	13 W						1.2kg
	RFT-220	AC 220V	AC 220V ±10%	13 W						1.2kg

Notes:

- Actual sound level will depend on sound type and operating conditions.
- Even when starting two or more units simultaneously, a lag will occur during message playback.
- MPEG Layer-3 audio coding technology licensed from Fraunhofer IIS and Thompson Licensing

Wiring



Options

RF-001: Wall Mount Bracket



RF-002 Ceiling Mount Bracket



Options

PATLITE Playlist Editor 2
(Free Download)

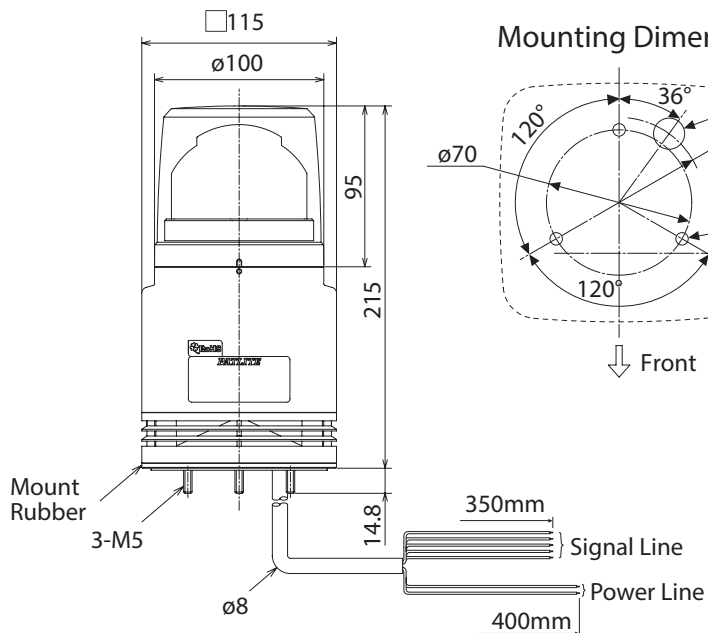
SD Card
(2 GB)
SDV-2GP



(OS: Windows® 2000/XP/Vista/Windows 7/Windows 8)

- > The new PATLITE Playlist Editor 2 is required to change the audio message data for this product.
- > The SD Card does not contain any data.

Dimensions (Unit: mm)



Side access design enables easy post-installation maintenance



The sound reduction function reduces the volume by approx. -15dB (at 1m), a feature ideal for use at night time together with a timer or sensor.

Sound Reduction



RFV



MP3 Voice Annunciator & LED Signal Tower

LED

15 Channels (Binary)

95dB at 1m

IP54
 115
NPN/PNP
Open-collector


The RFV series is a combination of LED rotating beacon light and MP3 programmable sound unit.

FEATURES

- Field-programmable with an SD Card (sold separately).
- Message capacity of 63 seconds (64kbit/s) with bit input of 4 channels and 15 channels by binary input.
- Volume is adjustable from 0 to 95dB (at 1m) to fit various environments.
- A 4.5G vibration resistant design allows safe use in a high-vibration environment.
- Other Unique Features:
 1. Maintenance reduced with long service ultra-bright LEDs that can last over 5 years with 24/7 continuous operation.
 2. Highly-visible with a special optical reflector design.
 3. Special gear-driven mechanism provides reliability, even after 10 years of no operation.
 4. Tight-locking dome stays on, even in high vibration environments.
 5. Designed for inverted installation.

AVAILABLE BY SPECIAL ORDER

- PNP open collector transistor type.

How to Order

RFV-24F-

Rated Voltage

Globe Color

 24: 24V DC
 100: 100V AC
 220: 220V AC

 R : Red
 Y : Amber
 G : Green
 B : Blue

Options

PATLITE Playlist Editor 2
(Free Download)

SD Card
(2 GB)
SDV-2GP


(OS: Windows® 2000/XP/Vista/Windows 7/Windows 8)

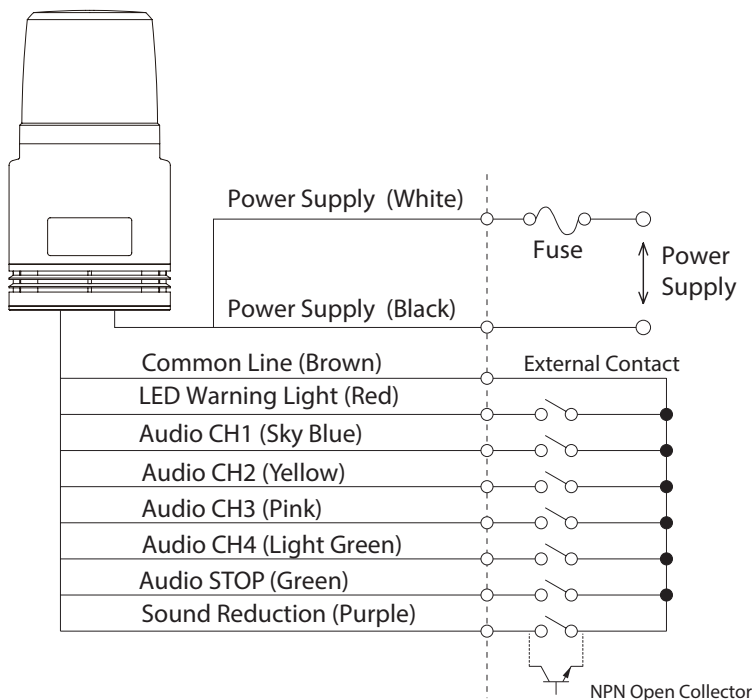
- > The new PATLITE Playlist Editor 2 is required to change the audio message data for this product.
- > The SD Card does not contain any data.

Specifications

Series	Model	Rated Voltage	Operating Voltage Range	Maximum Power Consumption	Sound Level	Operating Temperature Range	Flashes per Minute	Protection Rating	Vibration Resistance	Mass
RFV	RFV-24	DC 24V	DC 24V ±10%	18 W	Max. 95dB (at 1m)	-10°C - +50°C (85%RH or less)	115 ±15	IP54 (When Flush-mounted)	19.6m/s ²	1.0kg
	RFV-100	AC 100V	AC 100V ±10%	16W						1.2kg
	RFV-220	AC 220V	AC 220V ±10%							1.2kg

- Notes:
- Actual sound level will depend on sound type and operating conditions.
 - Even when starting two or more units simultaneously, a lag will occur during message playback.
 - MPEG Layer-3 audio coding technology licensed from Fraunhofer IIS and Thompson Licensing

Wiring



Options

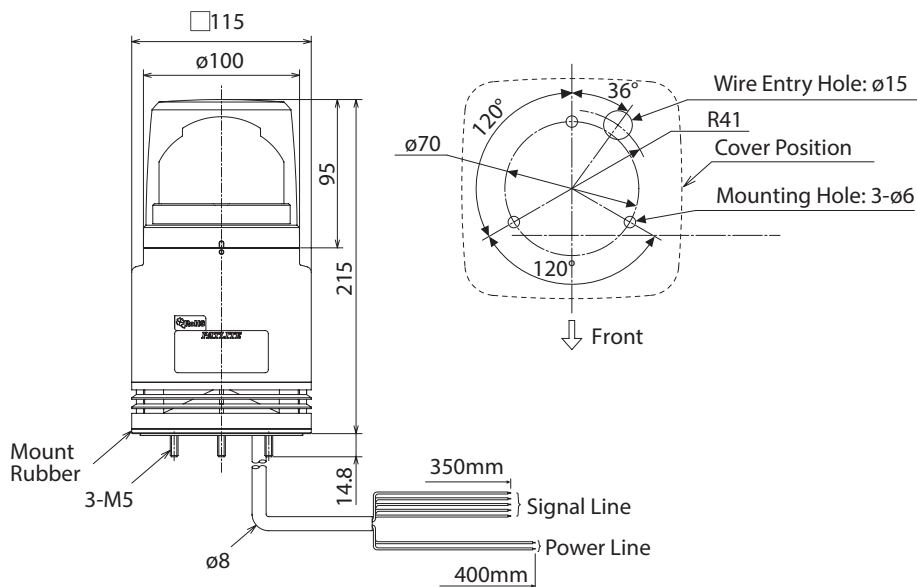
RF-001: Wall Mount Bracket



RF-002 Ceiling Mount Bracket



Dimensions (Unit: mm)



Voice message is field programmable with an SD card (sold separately), and the volume can be easily accessed from the side panel, even after installation.



The sound reduction function reduces the volume by approx. -15dB (at 1m), a feature ideal for use at night time together with a timer or sensor.



Use of Copyrighted Material

PATLITE Corporation has not applied for permission to use certain copyrighted music or songs recorded for Type-A, Type-C and Type-D melody charts outside of Japan. Therefore, please contact the local copyright association for permission before using the product in case this product is used outside of Japan. Melody chart Type-E is recommended for use outside of Japan as this playlist does not include copyrighted music or songs, and permission is not required.

RT

Hybrid MP3 & Revolving Light



CE (24V Only)

Bulb

32 Alarm Sounds

105dB at 1m

63 Seconds

IP23

NPN Open-collector



Large horn with revolving warning light featuring clear sound up to 105dB (at 1m).

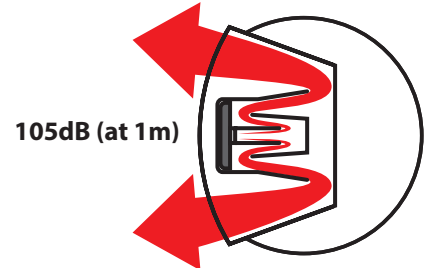
FEATURES

- Built-in Adjustable alarm with a sound of up to 105dB (at 1m).
- High sound quality with the MP3 voice synthesizer (RT-VF only).
- Installation is in the upright position only.
- Dome is made of superior weather-resistant and light-translucent acrylic resin.
- Available colors are Red, Amber, Green, and Blue.
- Complies with EU directives and includes the CE mark (for 24V type).

AVAILABLE BY SPECIAL ORDER

- Cable: Versatile and flexible 3m cable
- AC 120V type
- IP65 rating
- UL Conformity

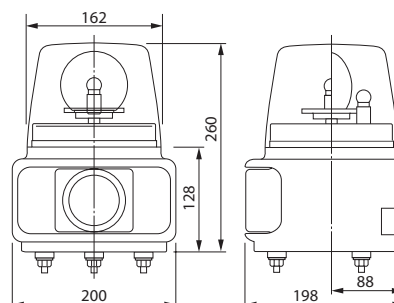
Horn Configuration Concept



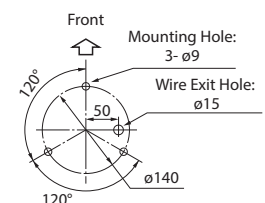
How to Order

RT-24 <input type="checkbox"/> - <input type="checkbox"/>		Color
Rated Voltage	Sound	R: Red
24 : DC 24V	VF: Voice Synthesizer	Y: Amber
100: AC 100V	A: Type A	G: Green
200: AC 200V	C: Type C	B: Blue
	D: Type D	
	E: Type E	

Dimensions (Unit: mm)

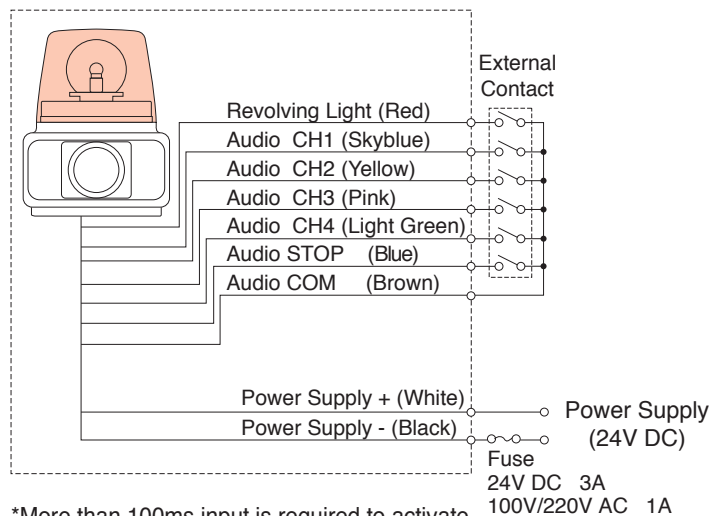


Mounting Dimensions



Wiring

RT-VF



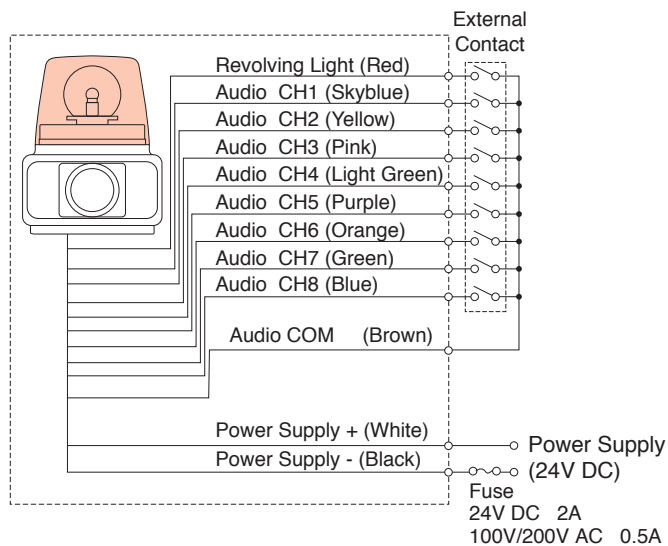
*More than 100ms input is required to activate.

Channel Priority:

4 (Light Green) -> 3 (Pink) -> 2 (Yellow) -> 1 (Skyblue)

The greater number has priority when any of the channels are activated simultaneously.

RT-A/C/D/E



Channel Priority:

8 (Blue) -> 7 (Green) -> 6 (Orange) -> 5 (Red) -> 4 (Light Green) -> 3 (Pink) -> 2 (Yellow) -> 1 (Skyblue)

The greater number has priority when any of the channels are activated simultaneously.

Specifications

Series	Model	Rated Voltage	Operating Voltage Range	Power Consumption	Bulb		Sound Level	Operating Temperature Range	Rotations per Minute	Sound Level	Channel Input	Mass
					Ratings	Repl. No.						
Voice	RT-24VF	DC 24V	DC 21 - 27V	24 W	24V 20W	55	Max. 90dB (at 1m)	-10°C - +50°C (85%RH or less)	115	Max. 105dB (at 1m)	Bit: 4 Binary: 15	2.0kg
	RT-100VF	AC 100V	AC 90 - 100V	32 W	12V 15W	54			105			2.4kg
	RT-220VF	AC 220V	AC180 - 240V	30 W					95			2.0kg
Sound	RT-24	DC 24V	DC 21 - 27V	24 W	24V 20W	55	Max. 95dB (at 1m)	-10°C - +50°C (85%RH or less)	115	Max. 105dB (at 1m)	Bit: 8 Binary: 32	2.0kg
	RT-100	AC 100V	AC 90 - 100V	32 W	12V 15W	54			105			2.5kg
	RT-220	AC 220V	AC180 - 240V	30 W					95			2.5kg

- Notes:
- Actual sound level will depend on sound type and operating conditions.
 - Even when starting two or more units simultaneously, a lag will occur during message playback.
 - MPEG Layer-3 audio coding technology licensed from Fraunhofer IIS and Thompson Licensing

Sound Chart

Type E (Worldwide)			
Beep (slow intermittent)	Stutter + Bell	Inverted Reveille	Annie Laurie
Stutter (rapid intermittent)	Synthesized Melody	Galactic Motor	London Bridge is falling down
Bell (clear high-pitch)	Chime	Ringing Phone	Mary had a little Lamb
Yelp (rapid siren)	Call Sign	Two Tone	Camptown Races
Rapid Hi-Lo	Train Ride	Alarm Clock	Amaryllis
Melody Chime	Galloping Hi-Lo	Ringing Hi-Lo	Mozart Symphony No. 40
Synthesized Piano	Alien Chatter	Fur Elise	Ave Maria
Synthesized Bell	Falling Crystals	Bach Minuet in Gmaj	Grandfather's Clock

Use of Copyrighted Material

PATLITE Corporation has not applied for permission to use certain copyrighted music or songs recorded for Type-A, Type-C and Type-D melody charts outside of Japan. Therefore, please contact the local copyright association for permission before using the product in case this product is used outside of Japan. Melody chart Type-E is recommended for use outside of Japan as this playlist does not include copyrighted music or songs, and permission is not required.