

**NEW**

## CENALED SPOT Gelenkarm (articulated arm)

Bright, practical and adaptable

The CENALED SPOT Gelenkarm (articulated arm) is the LED arm luminaire for manual workstations as well as for machine tools. The generously dimensioned aluminium articulated arm of the otherwise graceful looking lamp guarantees a wide projection to bring light wherever it is needed. The CENALED SPOT Gelenkarm is one of the few arm-mounted lights that, thanks to its high degree of protection, can also be used in harsh manufacturing conditions.

### The Technology

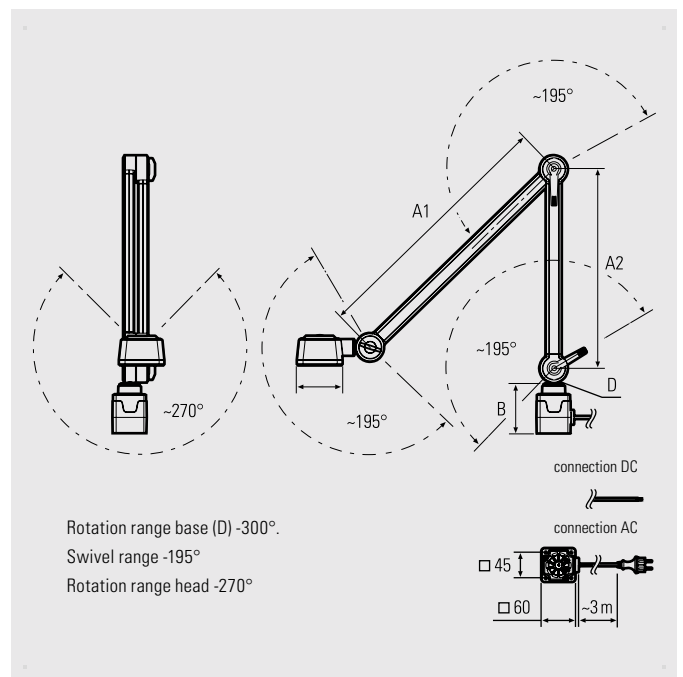
- High-performance LED chips for 5 000K neutral white
- On / off and dimmable using buttons on the lamp head
- Extensive articulated arm made of aluminium, freely adjustable via joints and with protected power supply lines
- Connection, depending on the variant, 24V DC or 110-305V AC, each with a 3 m lead

### Your benefits

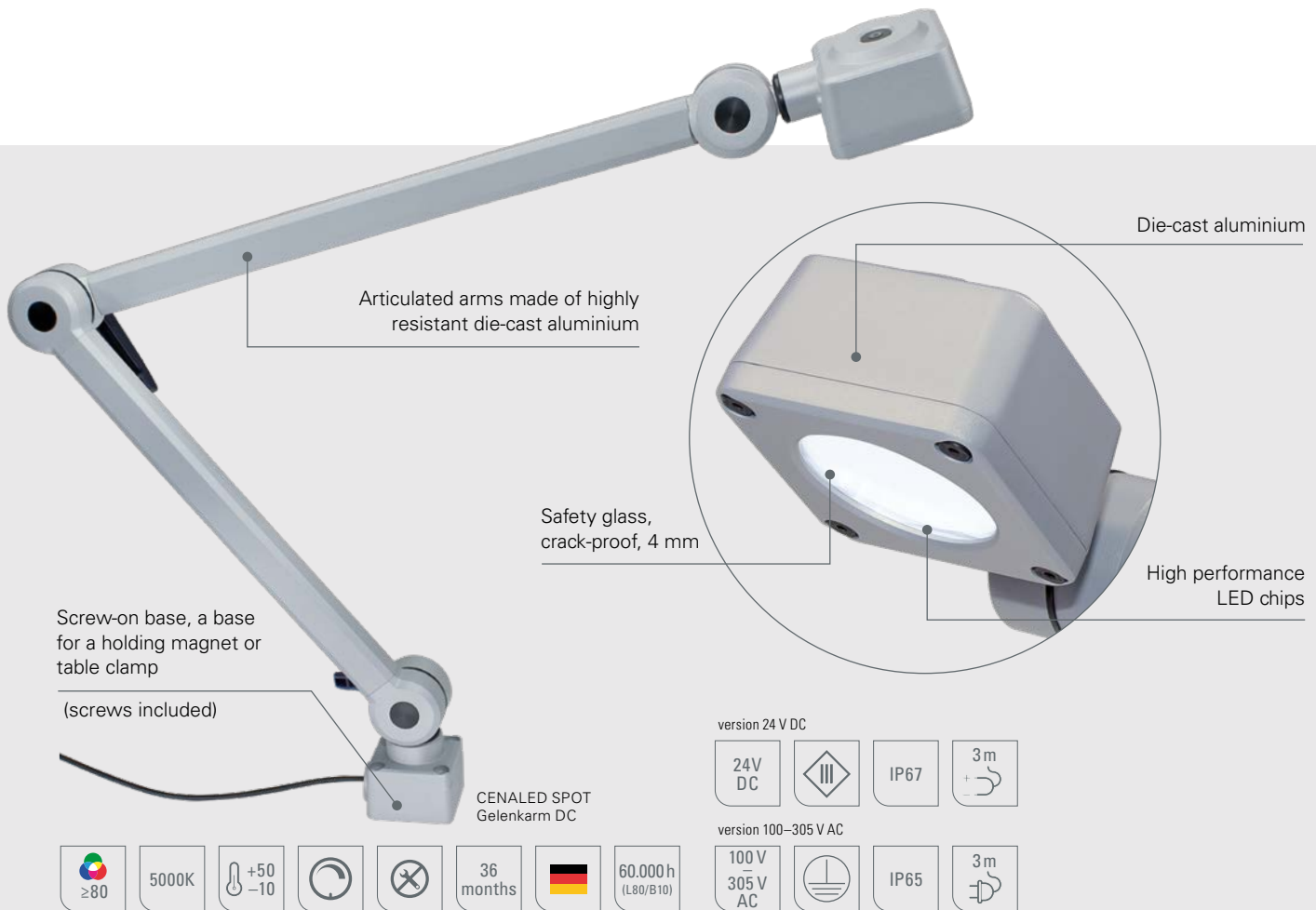
- Durable LED luminaire for bright illumination in neutral white and with a high level of detail sharpness
- Can be precisely aligned using the joints
- 30° beam angle for focused illumination

### Areas of application

- Workplaces at machines, systems or in the craft workshops
- Goldsmiths, dental laboratories or watchmakers
- Workbenches and test stations
- Conventional machine tools



## Articulated arm | CENALED SPOT Gelenkarm



CENALED SPOT Gelenkarm (articulated arm)	Product no.	Length of arms (A)	Base (B)	Optics	E <sub>max</sub> *	Lamp luminous flux	Output	Connection
CENALED SPOT Gelenkarm DC, screw-on base	121012-02	450 mm / 350 mm	59 mm	30°	9212 lx	1120 lm	-8,5 W	24V DC
CENALED SPOT Gelenkarm AC, screw-on base	121012-12	450 mm / 350 mm	88 mm	30°	9212 lx	1120 lm	-9 W	100-305V AC

Power supply, dimmboxes and connection materials, see Accessories.

\* maximum lighting intensities, measurement area 100 cm x 100 cm at 50 cm distance

Accessories	Product no.
Holding magnet for CENALED screw-on base	220500-01
Table clamp for CENALED screw-on base	220500-02
Wall bracket for CENALED screw-on base	220500-03



The CENALED SPOT is part of the CENALED modular system. The basic module of every light is the screw-on base for a 24V DC or 100-305 VAC connection. The modular structure is supplemented with an articulated arm, flexible arm or a directly mounted swivel head. The lamp head has an on/off switch and brightness control (dimming).

The screw-on base allows several optional fastening options, for example using a magnetic clamp or a table clamp.

