

UNILED II TUNABLE WHITE

Sunlight at the workplace

The light colours of the UNILED II TUNABLE WHITE are infinitely variable and their colour rendering almost corresponds to that of the sunlight surrounding us, which, as is well known, has a positive influence on the human organism. An opal-white glare control via the LED chips ensures homogeneous and shadow-free illumination of the work area. The aluminium spring arm allows the LED luminaire to be positioned anywhere in the workplace.

The Technology

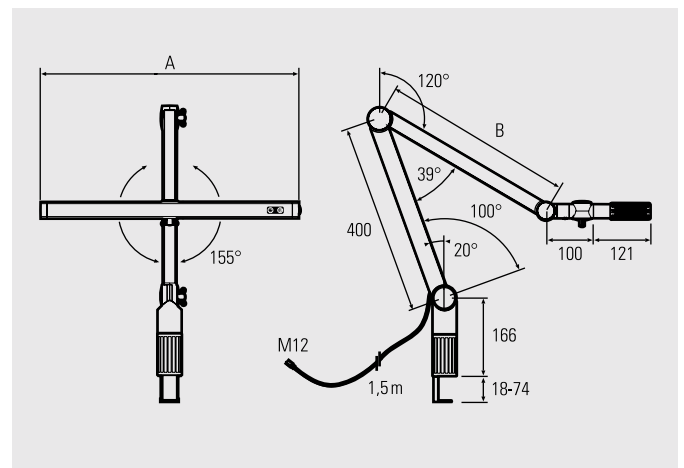
- Aluminium spring arm, 3D head joint
- Head and articulated arm can be pivoted and locked in any position
- Aluminium head with rear heat dissipation

Your benefits

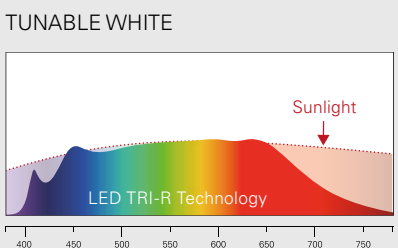
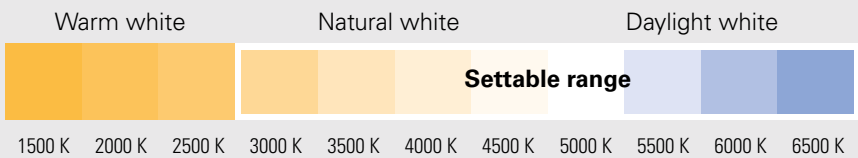
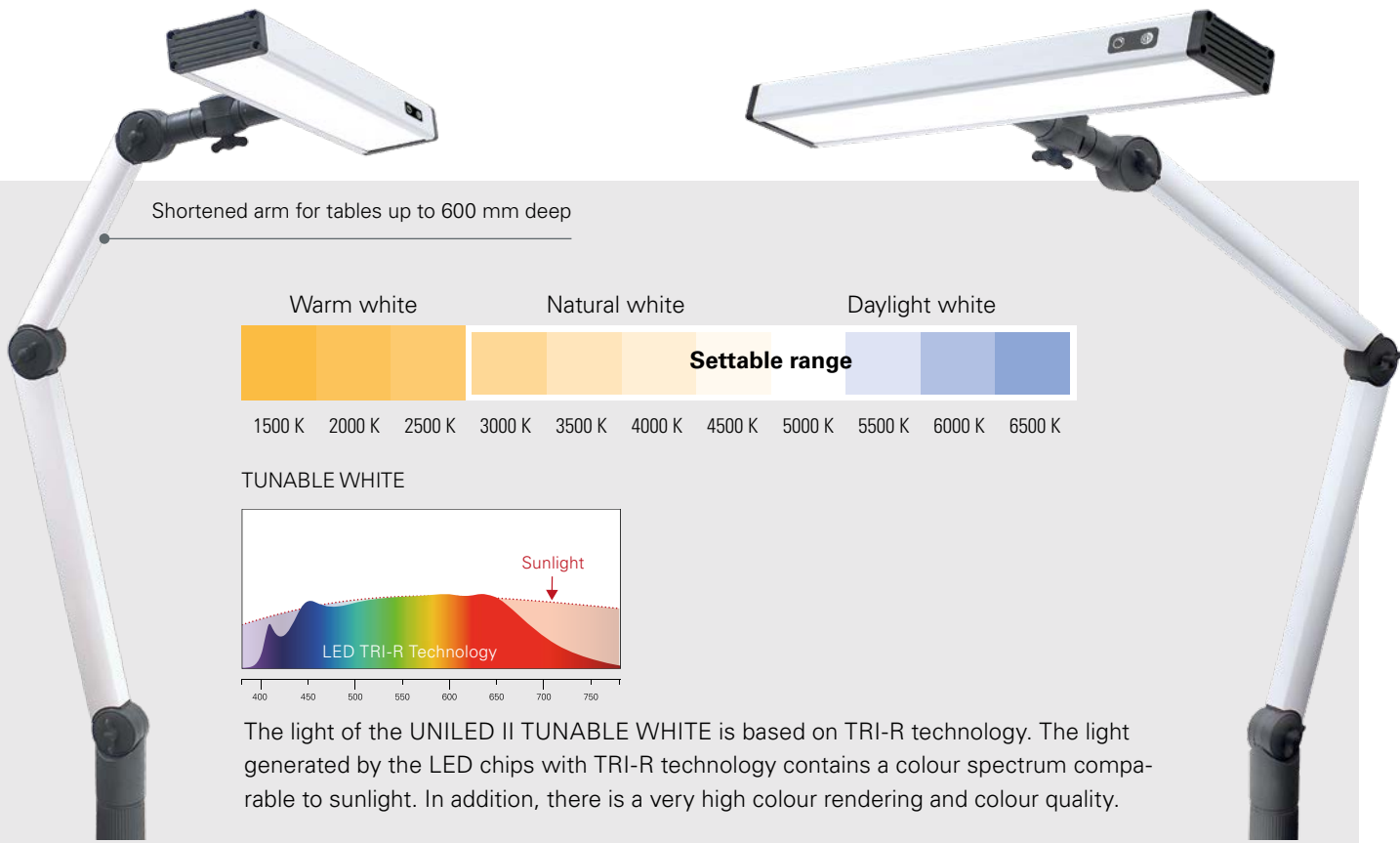
- Colour rendering up to $R_a > 98$. This corresponds approximately to the quality of the sunlight
- Promotes concentration and reduces signs of fatigue
- Adjustable from 3,000 K to 6,500 K via an easy-to-use keypad on the luminaire head
- Choice of colour temperature between warm white, neutral white and daylight white
- Variants with infinitely variable dimming and memory function

Areas of application

- For assembly and inspection workstations, workplaces in the goldsmith, dental laboratory, watchmaking sectors and quality control
- For surface control and under different light colours



Articulated arm | UNILED II



The light of the UNILED II TUNABLE WHITE is based on TRI-R technology. The light generated by the LED chips with TRI-R technology contains a colour spectrum comparable to sunlight. In addition, there is a very high colour rendering and colour quality.

UNILED II TUNABLE WHITE Watchmaker

UNILED II TUNABLE WHITE

24V DC, III, IP40, ≥98, 3000K-6500K, 60.000h (L80/B10), 3m, +40/-10, variants, 36 months, Germany, PSU 110V-240V AC

UNILED II TUNABLE WHITE, articulated arm, 3000–6500K (Ra > 98)	Product no.	Width head (A)	Length arm (B)	Optics	Light colour	E _{max} *	Lamp luminous flux	Output	Connection
UNILED II TUNABLE WHITE	120700-01	548 mm	400 mm	100°	3000 K 6500 K	1995 lx 2279 lx	2373 lm 2202 lm	~28 W	24V DC**
UNILED II TUNABLE WHITE, dimmable	120700-02	548 mm	400 mm	100°	3000 K 6500 K	1995 lx 2279 lx	2373 lm 2202 lm	~28 W	24V DC**
UNILED II TUNABLE WHITE Watchmaker	120900-01	380 mm	250 mm	100°	3000 K 6500 K	1340 lx 1742 lx	1582 lm 1468 lm	~20 W	24V DC**
UNILED II TUNABLE WHITE Watchmaker, dimmable	120900-02	380 mm	250 mm	100°	3000 K 6500 K	1340 lx 1742 lx	1582 lm 1468 lm	~20 W	24V DC**

** including power supply 110-240 V and table clamp

* maximum lighting intensities, measurement area 100 cm x 100 cm at 50 cm distance

Accessories	Product no.
Wall bracket for luminaires with an articulated arm	215100-01
Adapter for T-slot profile for luminaires with an articulated arm	215200-01
Screw-on base for luminaires with an articulated arm, plastic screws included	215400-01
Adapter for luminaires with an articulated arm, aluminium (for existing screw-on dimensions 60 x 60 mm on LED2WORK)	215400-02
Additional magnifier UNILED II, 3.39 dpt.	215500-01

