

# Electromagnetic RFID Locking Switch: MGL-3P

## APPLICATIONS & FEATURES:

NEW



The MGL-3P is designed for secure and reliable machine safety. This advanced electromagnetic safety switch features an RFID coded sensor and robust guard locking mechanism, ensuring that only authorized access is granted. With a holding force of up to 1000N, the MGL-3P provides unmatched security and peace of mind in industrial settings.

Designed for maximum versatility, the MGL-3P offers multiple mounting points, making it adaptable to a wide range of applications and easy to integrate into existing systems. Its user-friendly installation process allows for quick setup and secure attachment, saving you time and effort.

One of the standout features of the MGL-3P is its large LED lens, strategically located at the bottom of the switch. This LED provides clear and comprehensive visibility of the device status from all angles, ensuring that operators can easily monitor the system's condition at a glance. Whether you're managing a complex assembly line or a single workstation, the MGL-3P's LED indicator helps maintain safety and efficiency.

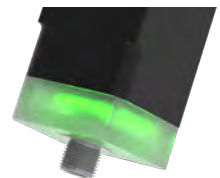
Ideal for industries requiring stringent safety protocols, the MGL-3P is perfect for protecting personnel and equipment in environments such as manufacturing, packaging, and automation. With its combination of high security, flexibility, and ease of use, the MGL-3P is the ideal choice for modern safety solutions.

- Robust Polyester Housing with Metal Mounting Plate
- High Coded RFID in Accordance with EN ISO 14119
- 40mm Profile and Side Mounting Points for Easy Installation
- Spring Loaded Actuator for Flexibility
- Large LED for Instant Visibility on Device Status

Fixed or adjustable mounting points for direct installation onto guard frames.



Wrap-around LED lens for maximum visibility from all angles.



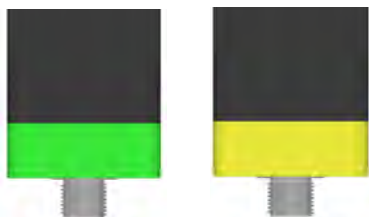
Quick installation via integrated M12 connector.

Flexible actuator provides resistance to high impact scenarios when closing the guard door.



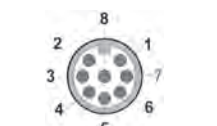
# Electromagnetic RFID Locking Switch: MGL-3P

## INDICATION:



SWITCH STATUS	GUARD	GREEN LED	YELLOW LED
Locked	Closed	Steady	Off
Solenoid Power OFF (Unlocked)	Closed	Flashing	Off
Guard Open	Open	Off	Steady
Door Forced Open	Open	Off	Flashing

## CONNECTIVITY:



Pin view from Switch on flying lead 250mm (10")

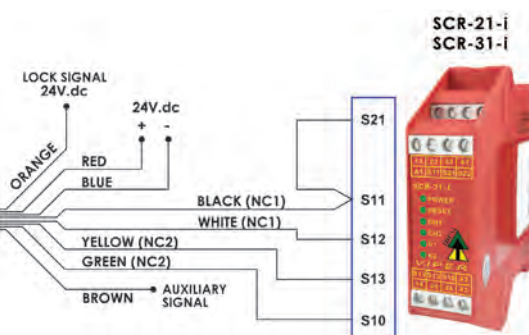
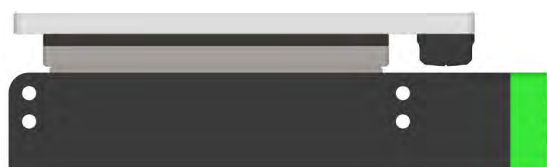


Quick Connect (QC) M12 8 Way Male	Switch Circuit
3	0Vdc
2	24Vdc
8	Lock Applied (24Vdc)
7	Safety Output 1
1	Safety Output 1
4	Safety Output 2
6	Safety Output 2
5	Auxiliary Signal

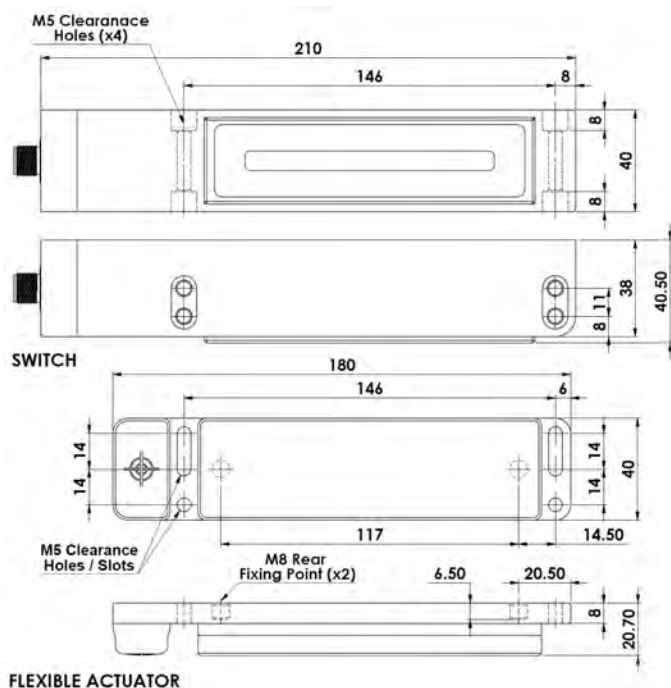
FEMALE QC LEADS	LENGTH	SALES NUMBER
M12 8 Way	5m (15ft)	140101
M12 8 Way	10m (30ft)	140102

## CONNECTION EXAMPLE:

The MGL-3P will connect to the majority of popular standard safety relays to achieve up to PLe/Category 4 to ISO13849-1. **(Requires dual channel monitoring as shown below)**



## DIMENSIONS:



## TECHNICAL SPECIFICATIONS:

Technical Specification	
Supply Voltage	24Vdc +/- 10%
Supply Current	75mA
Solenoid Current	500mA
Output Rating	24V 0.2A
Output Type	Voltage-Free
Aux. Rating	24V 0.2A
Aux. Type	PNP
Body material	Polyester
Temperature Range	-25C to +40C
Enclosure Protection	IP67
Connectivity	M12 Bulkhead Connector
Mounting Bolts	2 x M5
Mounting Position	Any (see L-Bracket for more options)

When the product is used deviant from these assumptions (different load, operating frequency, etc.) the values have to be adjusted accordingly.

## ORDERING:

Part Number	Description	Coding
467006	MGL-3P-M QC-M12 8-Way	Master Coding
467003	MGL-3P-U QC-M12 8-Way	Unique Coding
Accessories		
467102	MGL-3P Replacement Actuator	
467200	Mounting L-Bracket	

